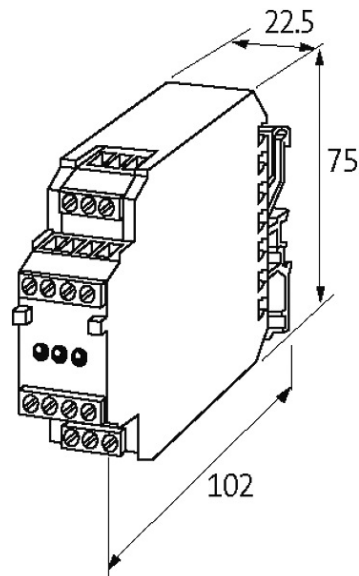
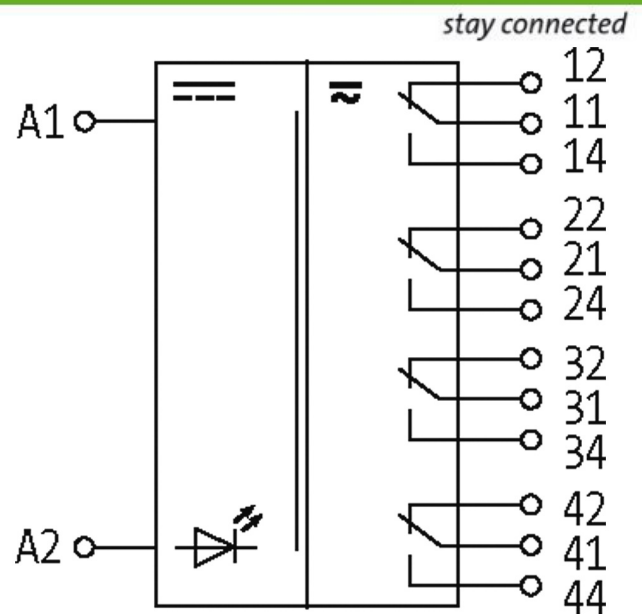


**RM 14/230V AC OUTPUT RELAY**

IN: 230 VAC/DC - OUT: 250 VAC/DC / 2 A

1 relay; 4 NO/NC contacts  
2 A  
230 V AC  
Screw terminals

[Link to Product](#)**Illustration**



Product may differ from Image

### Input

Connection voltage - current	230 V AC (195...250 V AC) - 10 mA
LED display	LED (red)

### Utilization category

AC-12	2 A (24 V AC); 0.5 A (230 V AC)
AC-15	1 A (24 V AC); 0.1 A (230 V AC)
DC-13	0.8 A (24 V DC); 0.01 A (230 V DC)

### General data

Mech./elect. life	50 000 000 switching cycles/load dependent
Test isolation voltage	1.5 kV
Mounting method	DIN-rail mountable TH35 or G32 (EN 60715)
Temperature range	-20...+50 °C
Dimensions H x W x D	75x22.5x102 mm

### Output

Switching voltage	max. 250 V AC/DC
Switching current per output	max. 2 A
Min. load current	0.1 mA
Power rating (voltage dependent)	max. 125 VA/60 W
Switching frequency	max. 0.1 Hz (with load)
Contact material	Ag Au
Energize/release/contact bounce time	10/20/2 ms

### Commercial data

country of origin	CZ
customs tariff number	85364900
EAN	4048879027625
eClass	27371001

Packaging unit

1