

RMM 24VDC OUTPUT RELAY

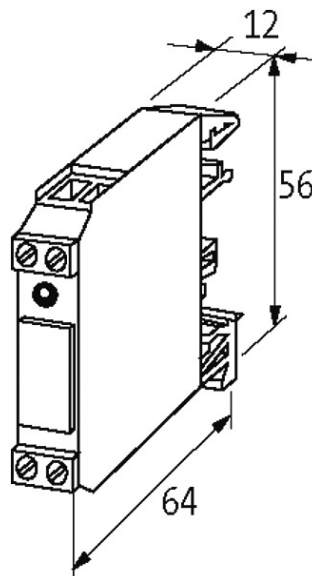
IN: 24 VDC - OUT: 250 VAC/DC / 6 A

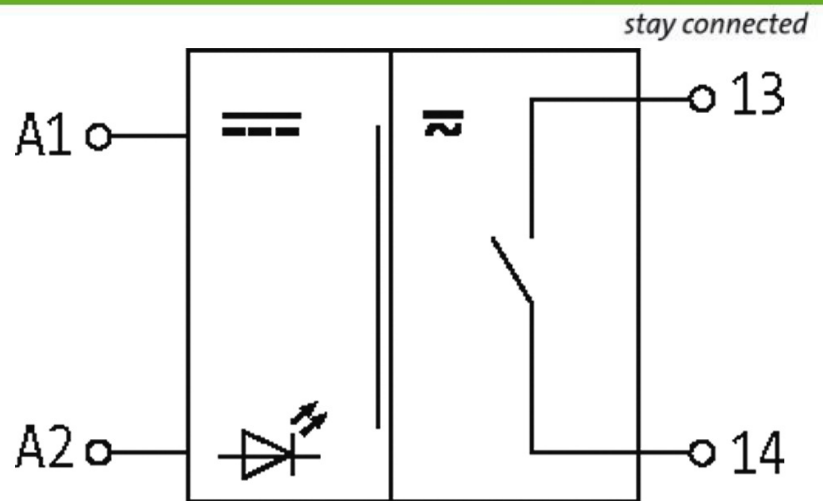
1 relay; 1 NO contact

6 A

24 V DC

Screw terminals

[Link to Product](#)**Illustration**



Product may differ from Image

Input

Connection voltage - current	24 V AC/DC (19.2...30 V AC/DC) - 15 mA
LED display	LED (red)

Utilization category

AC-1	6 A (24/110/230 V AC)
AC-15	4 A (24/110/230 V AC)
DC-13	2 A (24 V DC); 0.25 A (110 V DC); 0.1 A (230 V DC)

General data

Mech./ elect. life	20 000 000 switching cycles/load dependent
Test isolation voltage	4 kV
Mounting method	DIN-rail mountable TH35 (EN 60715)
Temperature range	-40...+60 °C

Output

Switching voltage	max. 250 V AC/DC
Min. load current	100 mA
Switching current per output	max. 6 A
Power rating (voltage dependent)	max. 1 250 VA/240 W
Switching frequency	50...60 Hz
Contact material	Ag Ni

Commercial data

country of origin	CZ
customs tariff number	85364900
EAN	4048879027571
eClass	27371001
Packaging unit	1