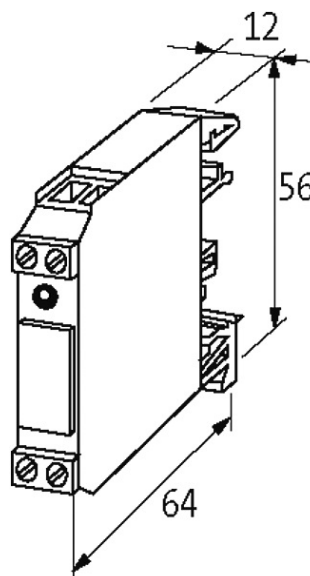
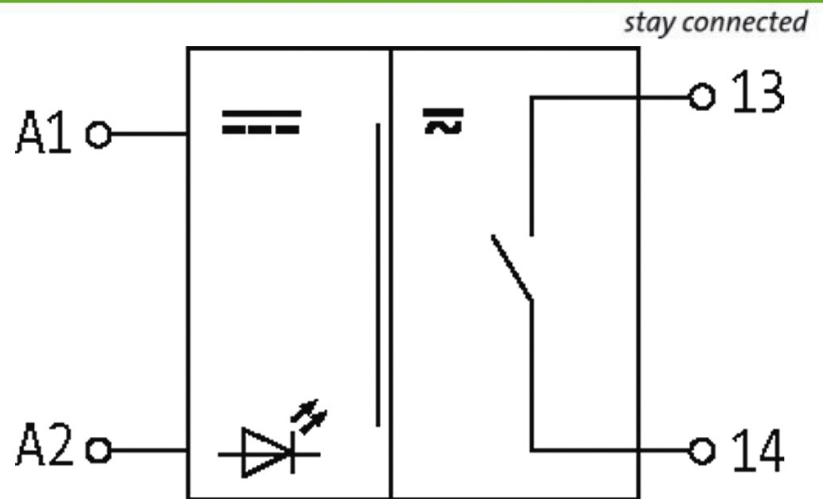


**RMME 11/110 AC INPUT RELAY**

IN: 110 VAC/DC - OUT: 250 VAC/DC / 1 A

1 relay; 1 NO contact  
110 V AC  
Screw terminals

[Link to Product](#)**Illustration**



Product may differ from Image

### Input

Connection voltage - current	110 V AC/DC (95...121 V AC/DC) - 3.5 mA
LED display	LED (yellow)

### Utilization category

AC-1	6 A (24/110/230 V AC)
AC-15	4 A (24/110/230 V AC)
DC-13	2 A (24 V DC); 0.25 A (110 V DC); 0.1 A (230 V DC)

### General data

Mech./ elect. life	100 000 000 switching cycles/load dependent
Test isolation voltage	1.5 kV
Mounting method	DIN-rail mountable TH35 or G32 (EN 60715)
Temperature range	-20...+60 °C
Dimensions H x W x D	56x12x65 mm

### Output

Switching voltage	max. 125 V AC/DC
Switching current per output	max. 1 A
Min. load current	1 mA
Power rating (voltage dependent)	max. 60 VA/30 W
Switching frequency	max. 15 Hz
Contact material	Pd Ni-Au Rh
Energize/release/contact bounce time	10/10/1 ms

### Commercial data

country of origin	CZ
customs tariff number	85364900
EAN	4048879027533
eClass	27371001
Packaging unit	1