

RMM 11/48 OUTPUT RELAY

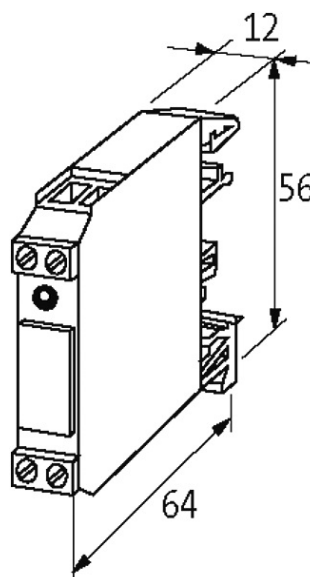
Product discontinued, no alternative

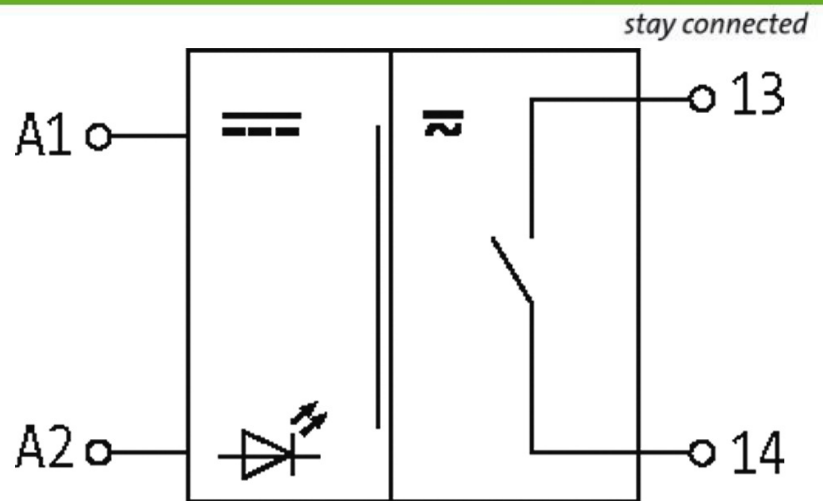
1 relay; 1 NO contact

5 A

48 V AC/DC

Screw terminals

[Link to Product](#)**Illustration**



Product may differ from Image

Input

Connection voltage - current	48 V AC/DC (40...53 V AC/DC) - 10 mA
LED display	LED (red)

Utilization category

AC-1	5 A (24/110/230 V AC)
AC-15	4 A (24/110/230 V AC)
DC-13	2 A (24 V DC); 0.25 A (110 V DC); 0.1 A (230 V DC)

General data

Dimensions H x W x D	56x12x65 mm
Mech./elect. life	20 000 000 switching cycles/load dependent
Test isolation voltage	4 kV
Mounting method	DIN-rail mountable TH35 or G32 (EN 60715)
Temperature range	-20...+50 °C

Output

Switching voltage	max. 250 V AC/300 V DC
Switching current per output	max. 5 A
Min. load current	100 mA
Power rating (voltage dependent)	max. 1 250 VA/240 W
Switching frequency	max. 10 Hz
Contact material	Ag Ni 0.15 hv; Ag hv
Energize/release/contact bounce time	10/15/1.5 ms

Commercial data

country of origin	CZ
customs tariff number	85364900
EAN	4048879027502
eClass	27371001
Packaging unit	1