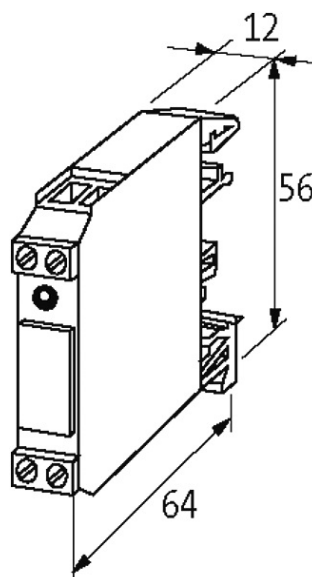
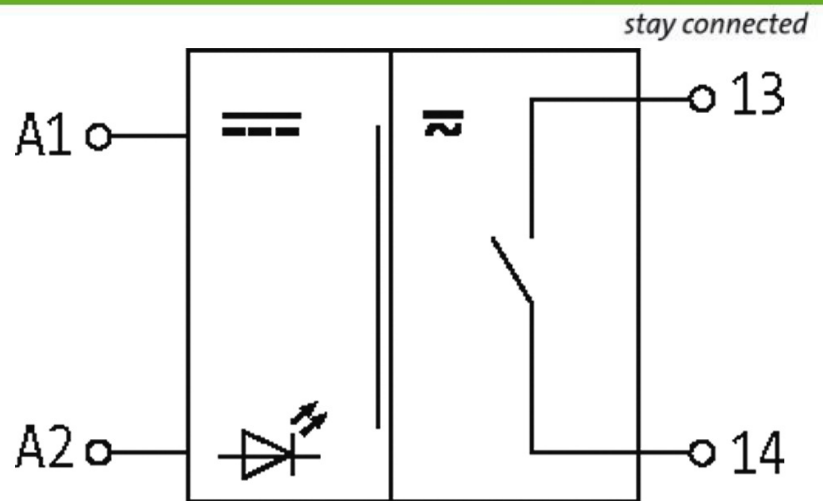


RMM 11/24 DC OUTPUT RELAY

IN: 24 VDC - OUT: 250 VAC/DC / 5 A

1 relay; 1 NO contact
5 A
24 V AC/DC
Screw terminals

[Link to Product](#)**Illustration**



Product may differ from Image

Input

Connection voltage - current	24 V DC (19.2...30 V DC) - 15 mA
LED display	LED (red)

Utilization category

AC-1	5 A (24/110/230 V AC)
AC-15	3 A (24/110/230 V AC)
DC-13	1.5 A (24 V DC); 0.3 A (110 V DC); 0.15 A (230 V DC)

General data

Mech./ elect. life	20 000 000 switching cycles/load dependent
Test isolation voltage	4 kV
Mounting method	DIN-rail mountable TH35 or G32 (EN 60715)
Temperature range	-25...+60 °C (storage temperature -40...+80 °C)

Output

Switching voltage	max. 250 V AC/DC
Switching current per output	max. 5 A
Min. load current	100 mA
Power rating (voltage dependent)	max. 1 250 VA/240 W
Switching frequency	50...60 Hz
Contact material	Ag Ni
Energize/release/contact bounce time	20/15/2 ms

Commercial data

country of origin	CZ
customs tariff number	85364900
EAN	4048879024822
eClass	27371601
Packaging unit	1