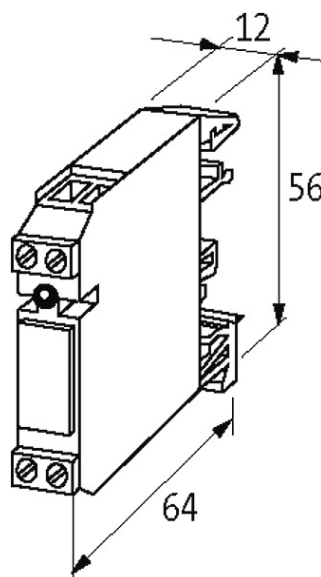
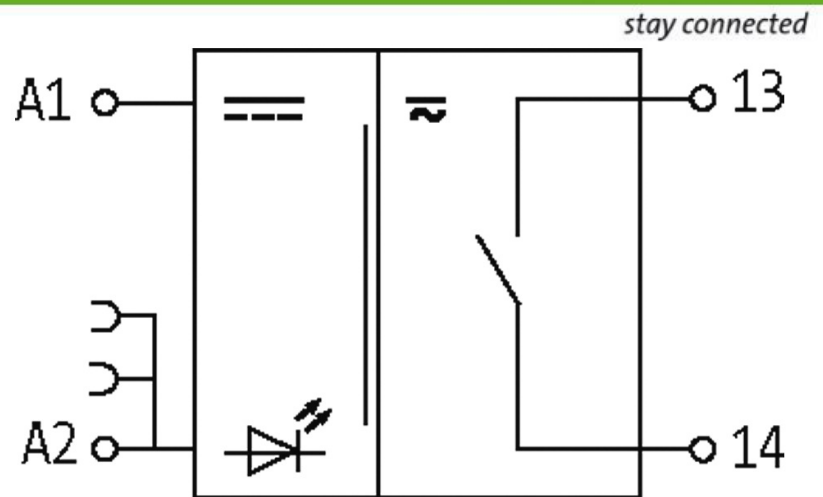


RMME 11/24 WITH GROUND BRIDGE INPUT RELAY

IN: 24 VAC/DC - OUT: 125 VAC/DC / 1 A

1 relay; 1 NO contact
24 V AC/DC
with minus plug link
Screw terminals

[Link to Product](#)**Illustration**



Product may differ from Image

Input

| | |
|------------------------------|---|
| Connection voltage - current | 24 V AC/DC (21.6...26.4 V AC/DC) - 6 mA |
| Plug link (supplied) | Art-No. 90960 |
| LED display | LED (yellow) |

Utilization category

| | |
|-------|---------------------------------|
| AC-15 | 1 A (24 V AC); 0.5 A (125 V AC) |
| DC-13 | 1 A (24 V DC); 0.5 A (125 V DC) |

General data

| | |
|------------------------|---|
| Mech./elect. life | 100 000 000 switching cycles/load dependent |
| Test isolation voltage | 1.5 kV |
| Mounting method | DIN-rail mountable TH35 or G32 (EN 60715) |
| Temperature range | -20...+60 °C |
| Dimensions H × W × D | 56×12×65 mm |

Output

| | |
|--------------------------------------|------------------|
| Switching voltage | max. 125 V AC/DC |
| Switching current per output | max. 1 A |
| Min. load current | 1 mA |
| Power rating (voltage dependent) | max. 60 VA/30 W |
| Switching frequency | max. 15 Hz |
| Contact material | Pd Ni-Au Rh |
| Energize/release/contact bounce time | 10/10/1 ms |

Commercial data

| | |
|-----------------------|---------------|
| country of origin | CZ |
| customs tariff number | 85364900 |
| EAN | 4048879027328 |
| eClass | 27371001 |
| Packaging unit | 1 |