

Miro off-delay Zeitrelais max.3-300 sec.

MIRO 6.2 TIMER OFF-DELAY

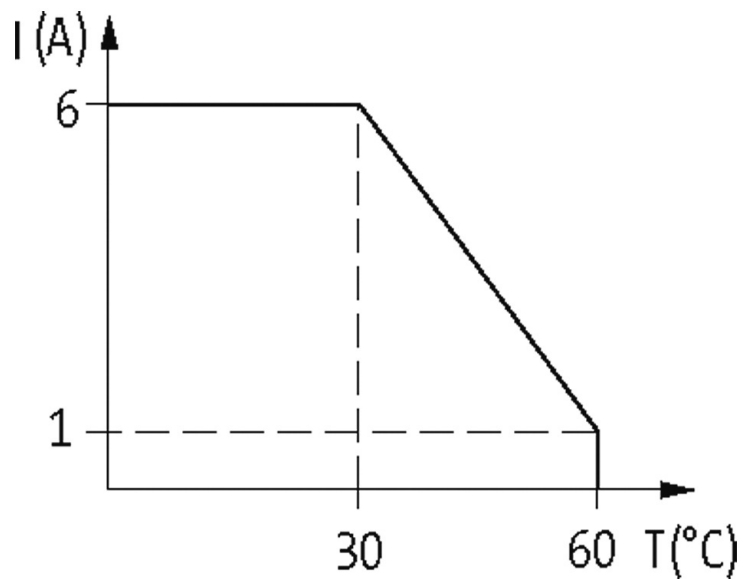
Relay output

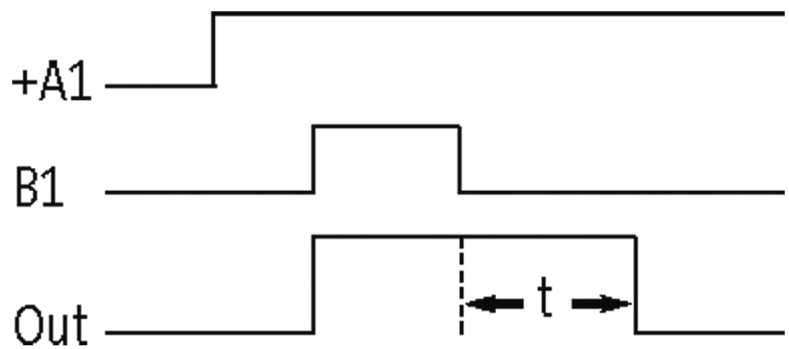
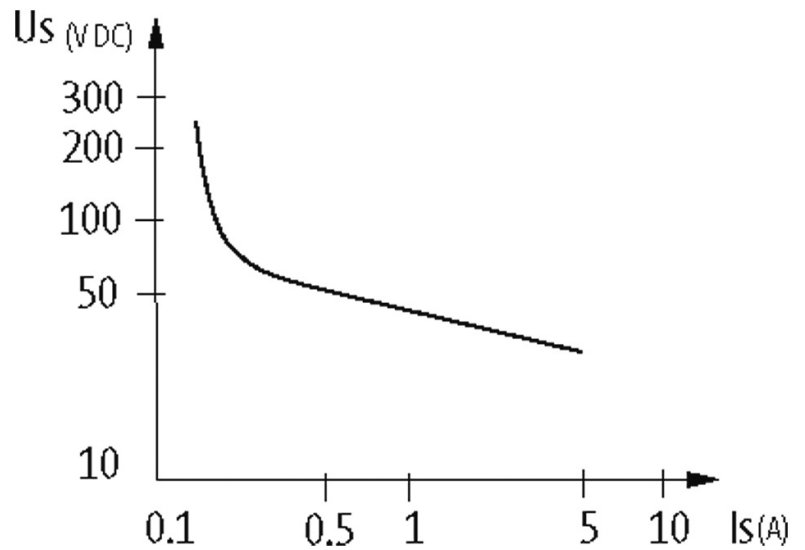
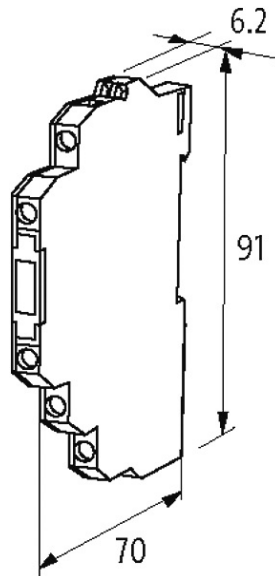
Switch-off delay: 3...300 s

Screw terminals

[Link to Product](#)

Illustration





Product may differ from Image

Approvals



Input

| | |
|-----------------|----------------------------|
| Input voltage | 24 V DC (+10 -15%) input A |
| Input current | 20 mA (input A) |
| Control voltage | 24 V DC (+10 -15%) input B |
| Control current | 5 mA (input B) |

Utilization category

| | |
|-------|---|
| AC-12 | 6 A (24/110/230 V AC) |
| AC-15 | 3 A (24/110/230 V AC) |
| DC-13 | 1 A (24 V DC); 0.2 A (110 V DC); 0.1 A (230 V DC) |

General data

| | |
|------------------------|--|
| Mech./ elect. life | 20 000 000 switching cycles/load dependent |
| Test isolation voltage | 4 kV; safe separation (EN 60947-1) |
| Mounting method | DIN-rail mountable (EN 60715) |
| Temperature range | 0...+55 °C |
| Dimensions H x W x D | 91x6.2x70 mm |

Output

| | |
|--------------------------------------|----------------------|
| Output voltage | max. 250 V AC/DC |
| Output current | max. 6 A |
| Min. load current | 100 mA (12 V DC) |
| Output rating | max. 1 500 VA/120 W |
| Switching frequency | max. 10 Hz |
| Contact material | Ag Sn O ₂ |
| Energize/release/contact bounce time | 10/15/1.5 ms |

Commercial data

| | |
|-----------------------|---------------|
| country of origin | CZ |
| customs tariff number | 85364900 |
| EAN | 4048879026970 |
| eClass | 27210990 |
| Packaging unit | 1 |