

## MIRO 6.2 IMPULSE EXTENSION MODULES

IN: 24 VDC - OUT: 24 VDC / 0.1 A

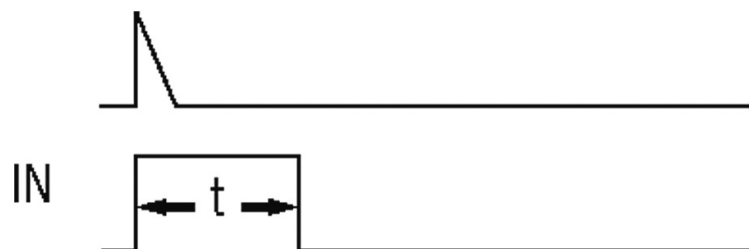
Transistor output

Impulse expansion: 0.1...10 s

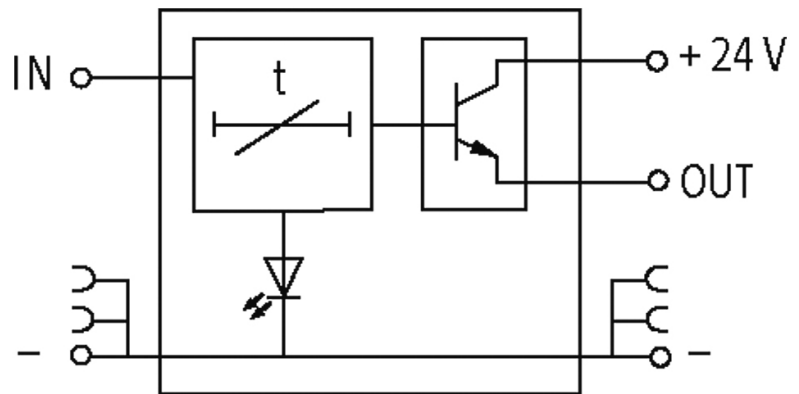
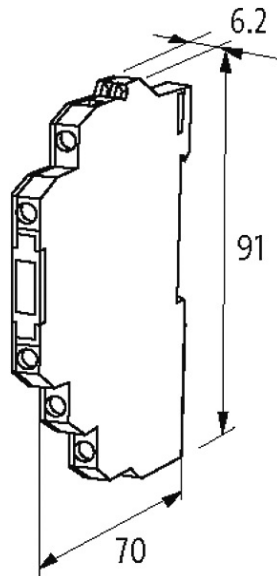
Screw terminals

### [Link to Product](#)

#### Illustration



OUT Control impuls  $\geq 0.5$  ms  
0.1...10s front side poti adjustable



Product may differ from Image

### Approvals



### Input

Input voltage	19...29 V DC
Control voltage	16...32 V DC
Time range	0.1...10 s
Impulse length	min. 0.5 ms

### General data

Test isolation voltage	no galvanic separation
Mounting method	DIN-rail mountable (EN 60715)
Temperature range	0...+60 °C
Dimensions H x W x D	91x6.2x70 mm

### Output

The information in this brochure has been compiled with the utmost care.

Liability for the correctness completeness and topicality of the information is restricted to gross negligence. Version: 03/19

Murrelektronik GmbH | Falkenstraße 3 | 71570 Oppenweiler | Fon +49 (71 91) 47-0 | Fax +49 (71 91) 47-491000 | shop@murrelektronik.com | shop.murrelektronik.com

Switching voltage	Operating voltage – 1.5 V
Switching current per output	max. 100 mA

**Commercial data**

country of origin	CZ
customs tariff number	85437090
EAN	4048879026963
eClass	27210990
Packaging unit	1