

**MIRO 6.2 OPTO-COUPLER MODULE**

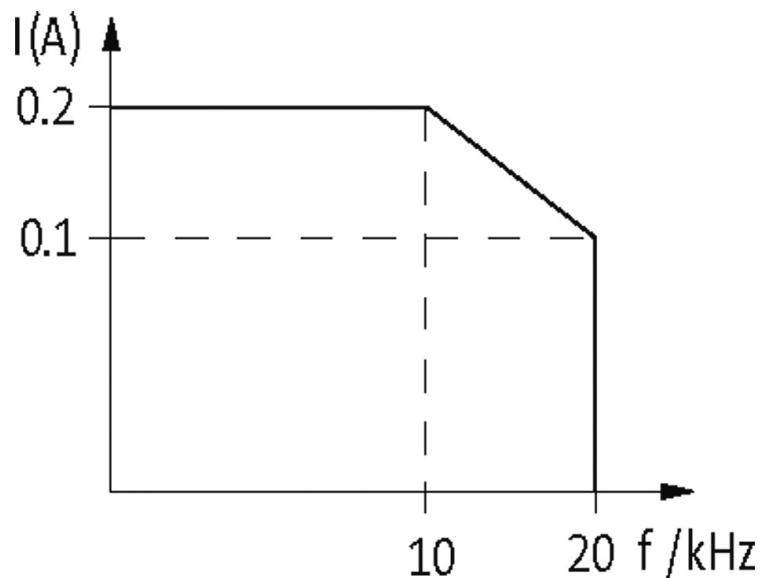
IN: 35 VDC - OUT: 30 VDC / 0.2 A max. 20 kHz

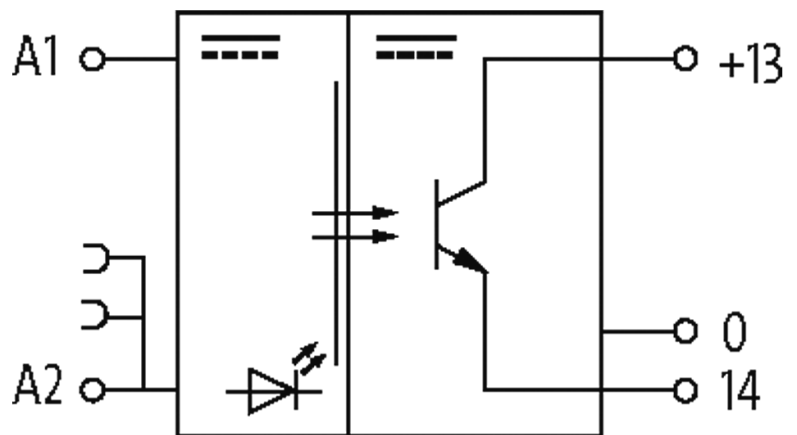
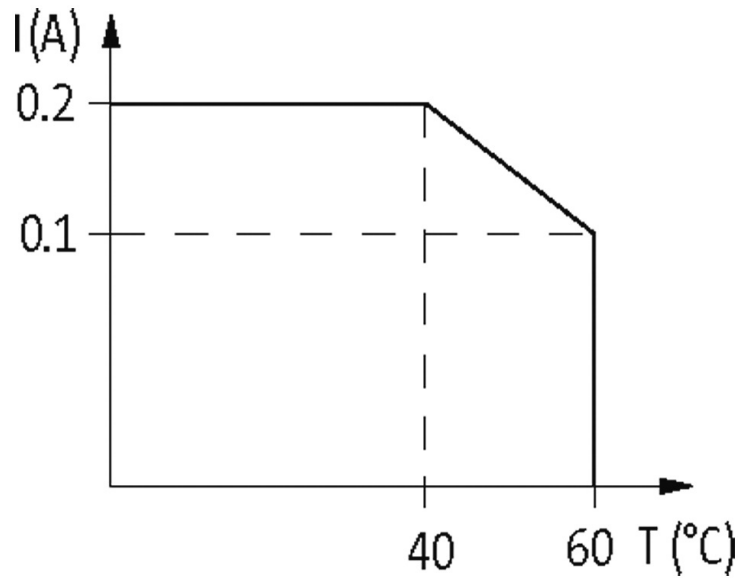
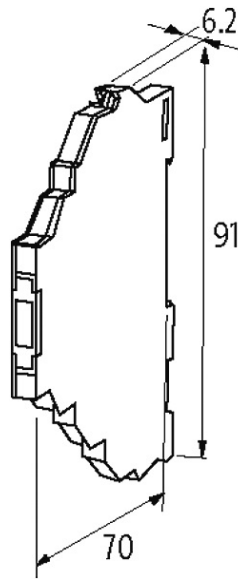
Transistor 0.2 A

24 V DC

Switching frequency: max. 20 kHz

Spring clamp terminals

[Link to Product](#)**Illustration**



Product may differ from Image

### Approvals



### Input

Voltage range ON	10...35 V DC
Voltage range OFF	0...5 V DC
Control current	6 mA
LED display	LED (green)

### General data

Test isolation voltage	2.5 kV
Housing	Black plastic, flame retardant
Mounting method	DIN-rail mountable (EN 60715)
Temperature range	-20...+60 °C
Dimensions H x W x D	91x6.2x70 mm

### Output

Switching voltage	10...30 V DC
Switching current per output	1 mA...0.2 A
Saturation voltage (across output)	max. 0.3 V AC/DC
Leakage current (output is open)	max. 25 µA
Switching time ON/OFF	5/7 µs
Switching frequency	max. 20 kHz/200 Hz (resist./ind.)

### Commercial data

country of origin	CZ
customs tariff number	85414090
EAN	4048879024532
eClass	27371604
Packaging unit	1