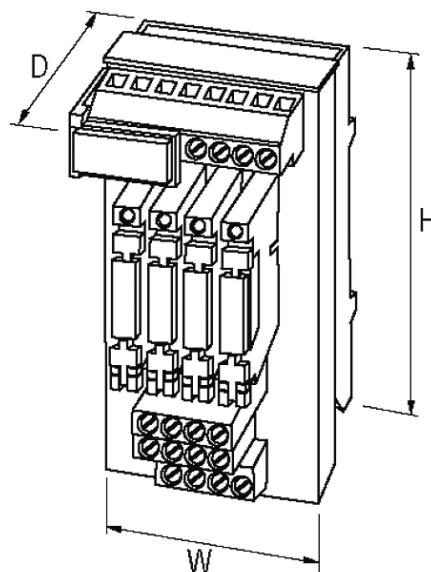
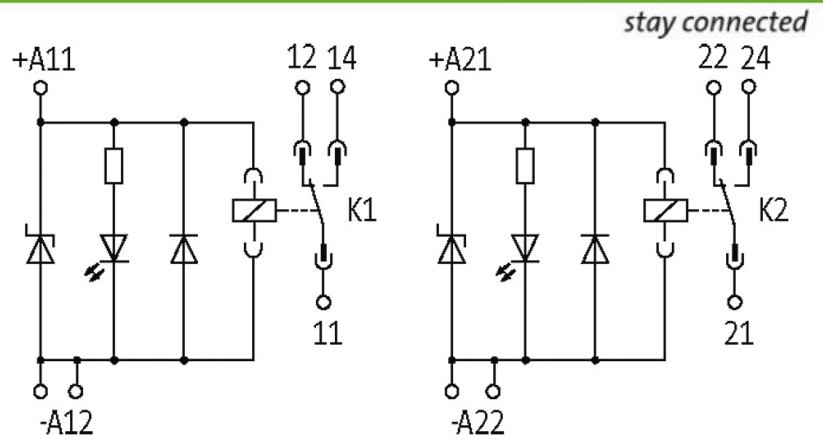


Article discontinued since March/2018

Product discontinued

Compact design
with plug relays
2 plugged relays; each 1 NO/NC contact
24 V DC
Diode + LED

[Link to Product](#)**Illustration**



Product may differ from Image

Utilization category

AC-12	6 A (24/110/230 V AC)
AC-15	3 A (24/110/230 V AC)
DC-13	1 A (24 V DC); 0.2 A (110 V DC); 0.1 A (230 V DC)

Technical Data

Switching voltage	12...250 V AC/DC
Switching current	max. 6 A
Min. load current	10 mA

General data

Connection	Screw terminals: max. 4 mm ² , with separate -A2 connections
Test isolation voltage	4 kV (input/output)
Mounting method	DIN-rail mountable (EN 60715)
Dimensions H × W × D	86×22.5×75 mm

Commercial data

country of origin	CZ
customs tariff number	85437090
EAN	4048879026642
eClass	27371001
Packaging unit	1