

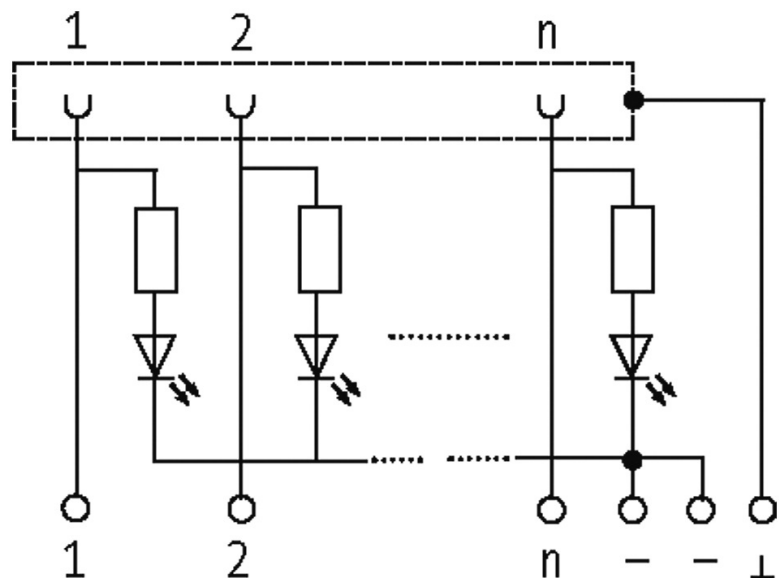
UG SUB 37 BL FOR SIGNAL TRANSFER (LED)

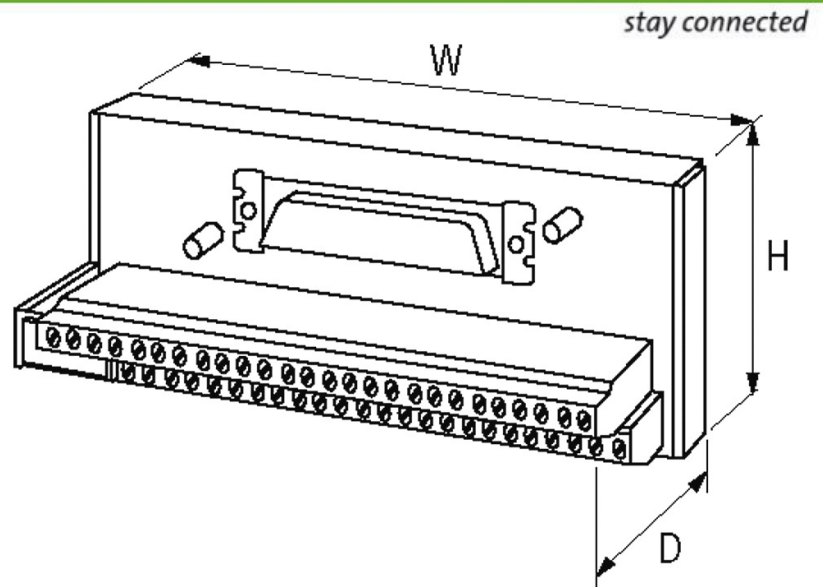
Product discontinued

Female connector + LED
37-pole
Screw terminals
with LED

[Link to Product](#)

Illustration





Product may differ from Image

Technical Data

| | |
|---------------------------|--|
| Operating voltage | 24 V DC \pm 15% |
| Operating current per bit | max. 2 A |
| LED display | LED (red) \varnothing 3 mm per pole, acc. to potential - |
| Material group | EN 60664-1 over voltage, category II |
| Locking of ports | Standard UNC 4-40 screw thread bolt (EN 60807) |

General data

| | |
|----------------------|-------------------------------|
| Mounting method | DIN-rail mountable (EN 60715) |
| Temperature range | -20...+70 °C |
| Dimensions H x W x D | 75x135x66 mm |

Commercial data

| | |
|-----------------------|---------------|
| country of origin | CZ |
| customs tariff number | 85369010 |
| EAN | 4048879026369 |
| eClass | 27143424 |
| Packaging unit | 1 |