

LUG S 8 FOR SIGNAL TRANSFER

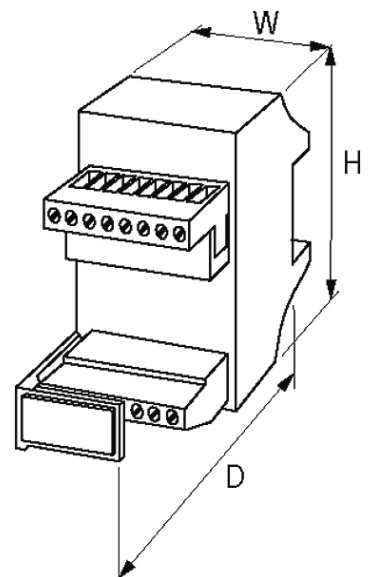
250V / 8 A

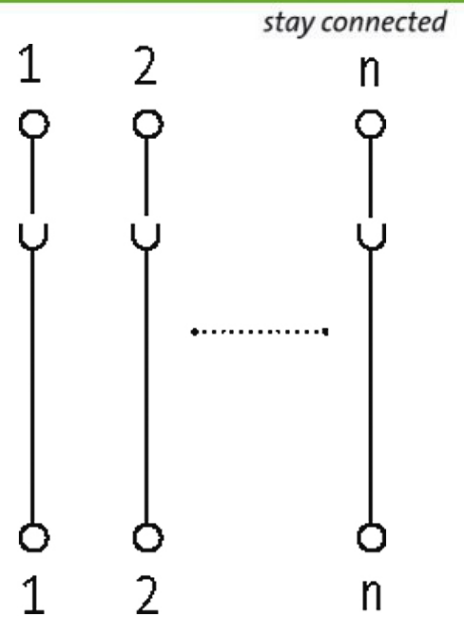
8-pole

Screw plug-in terminals

[Link to Product](#)

Illustration





Product may differ from Image

Technical Data

Operating voltage	250 V AC
Operating current per bit	8 A

General data

Connection	Screw plug-in terminal: max. 4 mm ² , single wire
Mounting method	DIN-rail mountable (EN 60715)
Dimensions H x W x D	75x45x66 mm
Temperature range	-20...+60 °C

Commercial data

country of origin	CZ
customs tariff number	85369010
EAN	4048879026291
eClass	27143424
Packaging unit	1