

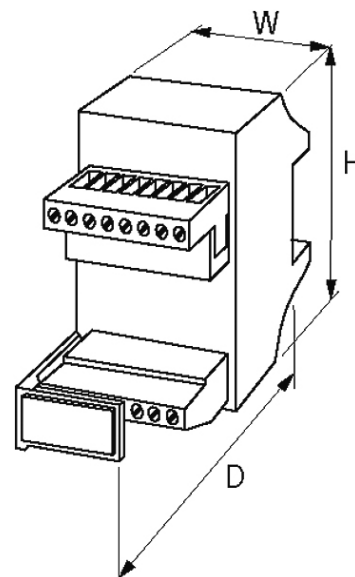
## LUGS 24 FOR SIGNAL TRANSFER

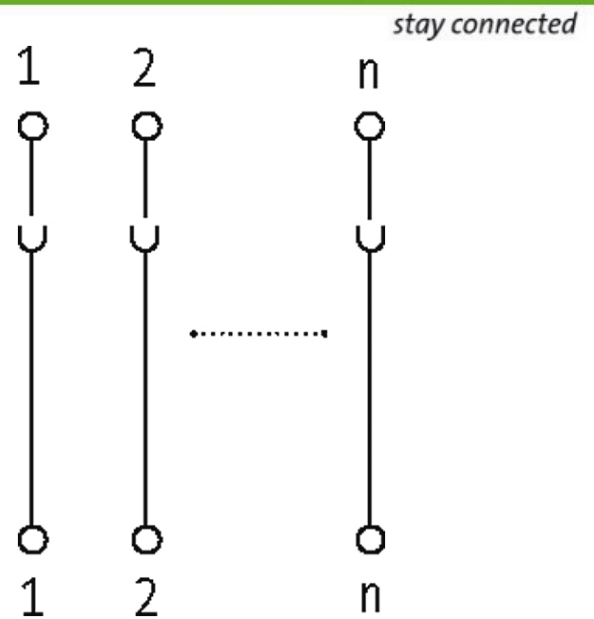
250V / 8 A

24-pole  
Screw plug-in terminals

### [Link to Product](#)

#### Illustration





Product may differ from Image

### Technical Data

Operating voltage	250 V AC
Operating current per bit	8 A
Material group	EN 60664-1 over voltage, category I

### General data

Connection	Screw plug-in terminal: max. 4 mm <sup>2</sup> , single wire
Mounting method	DIN-rail mountable (EN 60715)
Dimensions H × W × D	75×70×66 mm
Temperature range	-20...+60 °C

### Commercial data

country of origin	CZ
customs tariff number	85369010
EAN	4048879026277
eClass	27143424
Packaging unit	1