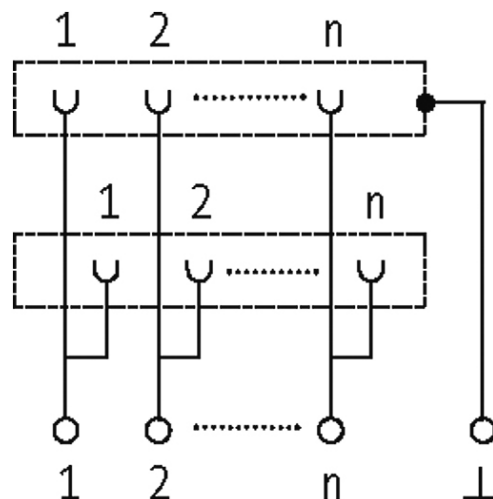


**SV-2 X SUB D 37 -KL. FOR SIGNAL TRANSFER**

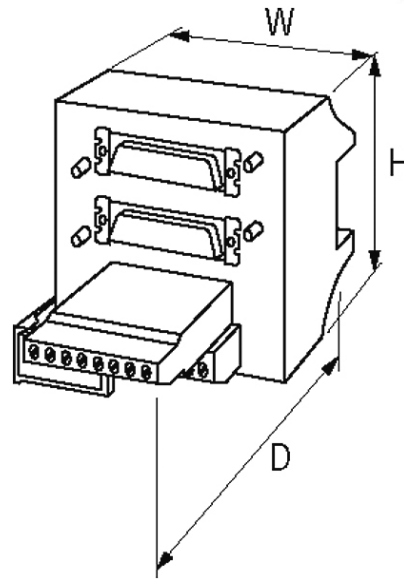
125 VAC/DC / 2 A

Female connector  
37-pole  
Screw terminals

[Link to Product](#)**Illustration**

Picture: female

stay connected



Product may differ from Image

### Technical Data

Operating voltage	125 V AC/150 V DC
Operating current per bit	max. 2 A
Material group	EN 60664-1 over voltage, category I
Locking of ports	Standard UNC 4-40 screw thread bolt (EN 60807)

### General data

Mounting method	DIN-rail mountable (EN 60715)
Temperature range	-20...+70 °C
Dimensions H × W × D	86×90×78 mm

### Commercial data

country of origin	CZ
customs tariff number	85366990
EAN	4048879026192
eClass	27143424
Packaging unit	1