

**SOLID67 IOL8 30mm M12L 5P**

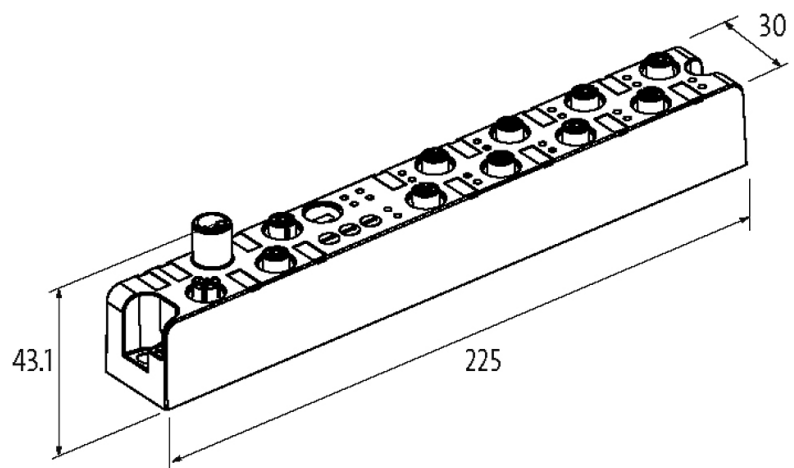
SOLID67 Multiprotocol Profinet or EthernetIP

IOL8

M12 Power, 5-pole, L-coded

30 mm

Connection cables are in the online shop under "Connection Technology". Housing fully potted.

[Link to Product](#)**Illustration**

Product may differ from Image

**Approvals****More Info**

The information in this brochure has been compiled with the utmost care.

Liability for the correctness completeness and topicality of the information is restricted to gross negligence. Version: 03/19

Murrelektronik GmbH | Falkenstraße 3 | 71570 Oppenweiler | Fon +49 (71 91) 47-0 | Fax +49 (71 91) 47-491000 | shop@murrelektronik.com | shop.murrelektronik.com



EtherNet/IP



### Input

Sensor supply US	24 V DC (EN 61131-2), max. 500 mA (M12 female), short-circuit and overload protected
Type	for 3-wire sensors or mechanical switches, PNP, IO-Link Devices

### Connections

Fieldbus	Ethernet 10/100 Mbit/s; M12, D-coded
Sensor-system/actuator supply	M12 Power, 5-pole, L-coded
I/O ports	M12, 5-pole, A-coded

### General data

Protection	IP67
Mounting method	2-hole screw mounting
Dimensions H × W × D	43.1×30×225 mm
Temperature range	-20...+70 °C

### EtherNet/IP

Addressing	DHCP, BOOTP or IP address by rotary switch
DLR (Device Level Ring)	yes

### PROFINET

Addressing	DCP
Shared Device/Input	yes, for 2 controls
PROFINET Netload Class	II
Specification	V2.3, Conformance Class C (IRT)
MRP	yes

### IO-Link

IO-Link	8 × Master
Operating modes	COM1; COM2; COM3 (automatic)
Transfer parameters	32 Input byte and/or 32 Output byte (per IO-Link port)
Port Class	4 × A (port X1...X4), 4 × B (port X5...X8, galvanically separated, max. 4 A per module)
Specification	IO-Link Master V1.1

### Output

Actuator supply UA	24 V DC (EN 61131-2), max. 9 A
Switching current per output	max. 0.5 A (PIN 4, X1...X8), short-circuit and overload protected

### Parameterization

PIN 4	Input (port X1...X8); Output (port X1...X8); IO-Link Master (port X1...X8)
PIN 2	Input (port X1...X4)

**Diagnostic**

Communication status	via LED
Diagnostic via LED	per module and channel
Diagnostic via BUS	per module and channel
Monitoring - under voltage	yes
Monitoring - no voltage	yes
Short-circuit and overload	yes
Actuator warning	via LED and BUS
Cable break	per port

**Commercial data**

country of origin	DE
customs tariff number	85389099
EAN	4048879727693
eClass	27242604
Packaging unit	1