

MASI67 INSTALLATION TECHNOLOGY

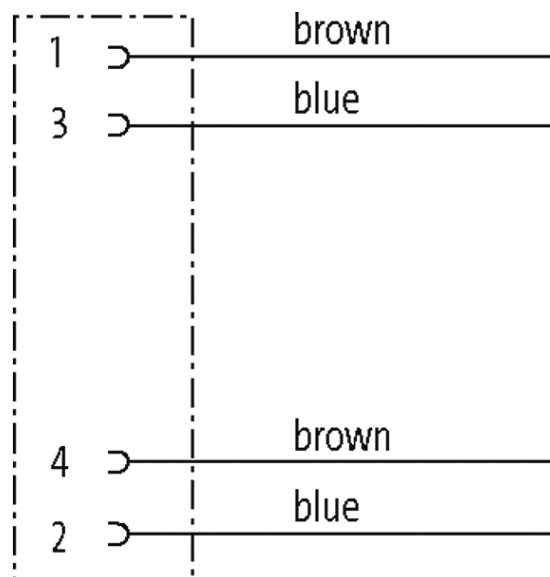
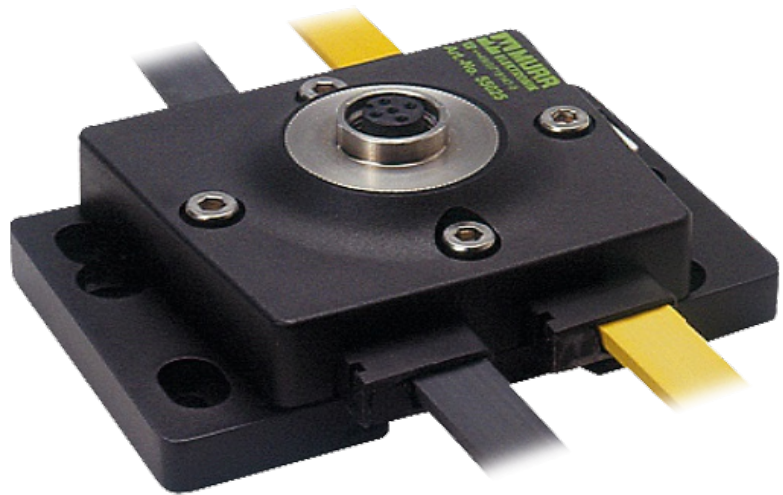
Converter 2x profile cable to M12 female

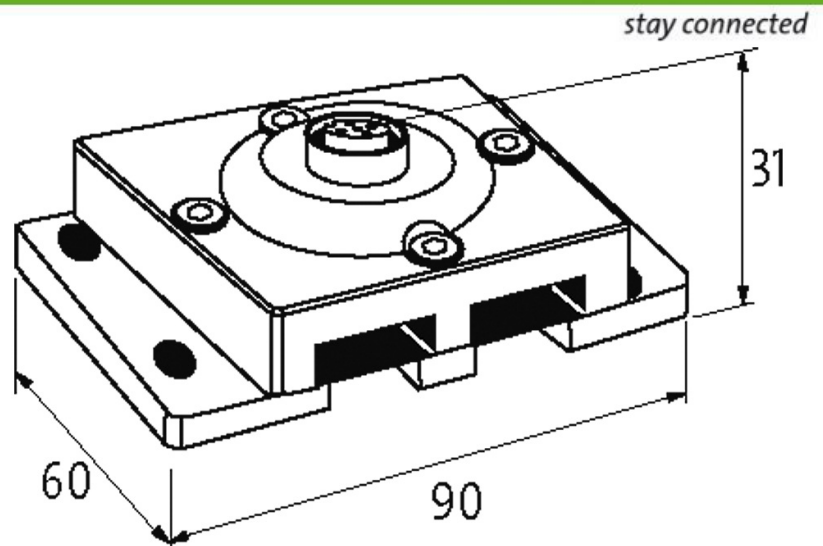
MASI67 converter
2 × profile cable to M12 (female)

Connection cables are in the online shop under "Connection Technology".

[Link to Product](#)

Illustration





Product may differ from Image

Approvals



Contact Layout

PIN 1	AS-Interface + (brown)
PIN 2	0 V (blue)
PIN 3	AS-Interface - (blue)
PIN 4	+24 V (brown)
PIN 5	n.c.

Technical Data

Operating voltage	max. 36 V DC
Total current	max. 4 A

General data

Test isolation voltage	AS-Interface/Power 200 V, (EN 60664-1)
Protection	IP67
Mounting method	DIN-rail mountable (EN 60715) or screw fixing
Temperature range	-20...+60 °C (storage temperature -40...+80 °C)
Dimensions H × W × D	90×74×30.5 mm

Commercial data

country of origin	DE
customs tariff number	85369010
EAN	4048879052146
eClass	27400209
Packaging unit	1