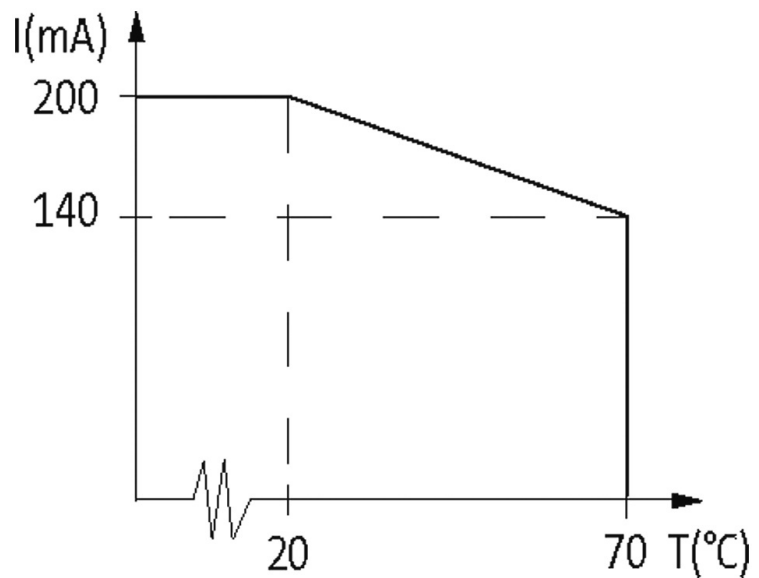


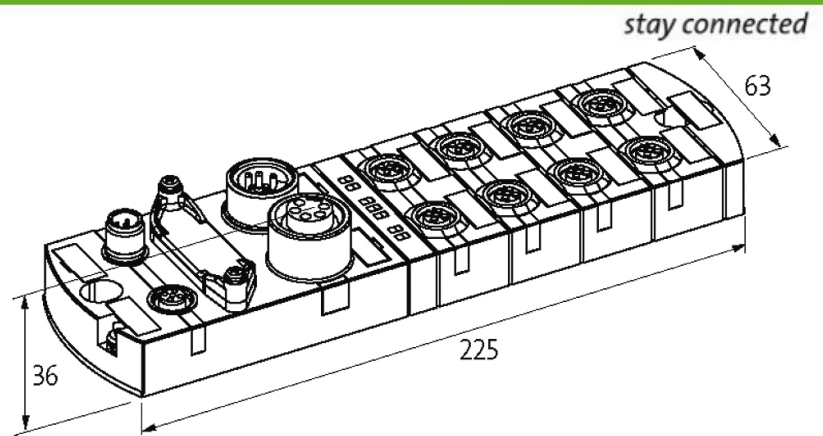
IMPACT67 COMPACT MODULE, PLASTIC

DeviceNet, 16 dig In

Digital inputs
DI16

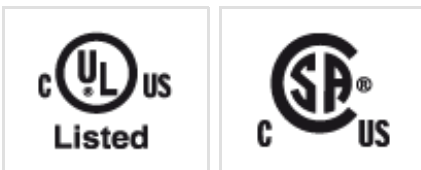
Connection cables are in the online shop under "Connection Technology". Housing fully potted.

[Link to Product](#)**Illustration**



Product may differ from Image

Approvals



More Info

DeviceNet

Input

Sensor supply US	24 V DC (EN 61131-2), max. 200 mA (M12 female), short-circuit and overload protected
Type	for 3-wire sensors or mechanical switches, PNP

Connections

Fieldbus	DN 125 kbit/s; 250 kbit/s; 500 kbit/s; M12, A-coded
Sensor-system/actuator supply	7/8", 5-pole, 2 × max. 9 A
I/O ports	M12, 5-pole, A-coded

DeviceNet

Addressing	Rotary switch 0...63
------------	----------------------

General data

Protection	IP67
Mounting method	2 hole screw mounting, compatible with I/O modules of MVK model range
Temperature range	-25...+70 °C (storage temperature -25...+70 °C)
Dimensions H × W × D	39×63×225 mm

Diagnostic

Communication status	via LED
Diagnostic via LED	per module and channel
Diagnostic via BUS	per module
Monitoring - under voltage	yes
Monitoring - no voltage	yes

The information in this brochure has been compiled with the utmost care.

Liability for the correctness completeness and topicality of the information is restricted to gross negligence. Version: 03/19

Murrelektronik GmbH | Falkenstraße 3 | 71570 Oppenweiler | Fon +49 (71 91) 47-0 | Fax +49 (71 91) 47-491000 | shop@murrelektronik.com | shop.murrelektronik.com

Short-circuit and overload yes

Commercial data

country of origin	DE
customs tariff number	85389099
EAN	4048879052078
eClass	27242604
Packaging unit	1