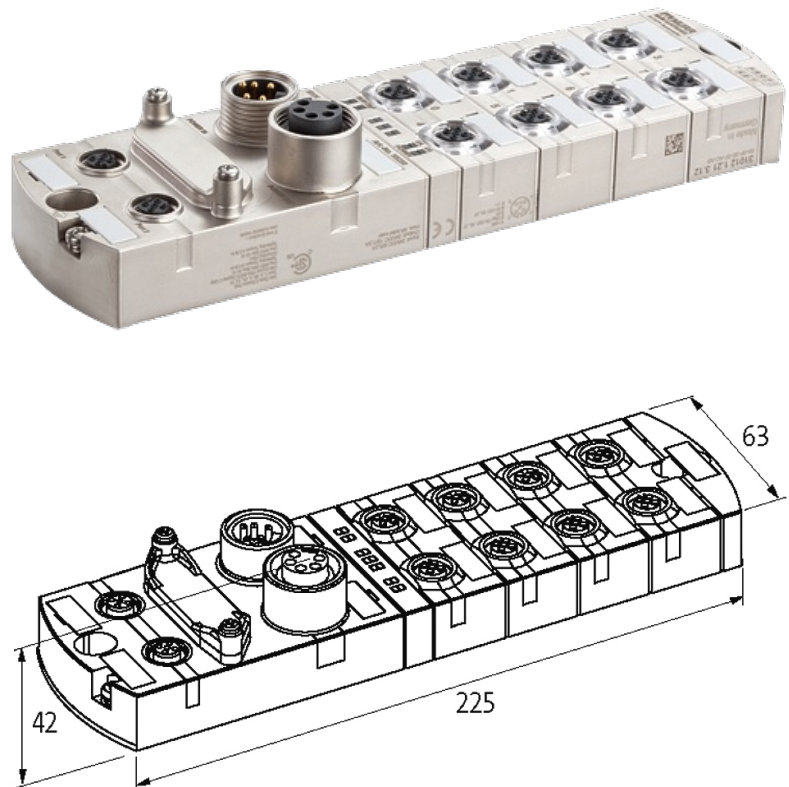


**MVK-ME DIO8 (DIO8)**

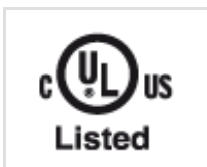
EthernetIP Compact module, metal

Digital inputs/outputs  
DIO8 (DIO8)

Connection cables are in the online shop under "Connection Technology". Housing fully potted.

[Link to Product](#)**Illustration**

Product may differ from Image

**Approvals****More Info**

EtherNet/IP

**Input**

Sensor supply US	24 V DC (EN 61131-2), max. 200 mA (M12 female), short-circuit and overload protected
------------------	--

Type	for 3-wire sensors or mechanical switches, PNP
------	--

### Connections

Fieldbus	Ethernet 10/100 Mbit/s; M12, D-coded
----------	--------------------------------------

Sensor-system/actuator supply	7/8", 5-pole, 2 × max. 9 A
-------------------------------	----------------------------

I/O ports	M12, 5-pole, A-coded
-----------	----------------------

### General data

Protection	IP67
------------	------

Mounting method	2 hole screw mounting, compatible with I/O modules of MVK model range
-----------------	---

Temperature range	-25...+55 °C (storage temperature -25...+70 °C)
-------------------	---

### EtherNet/IP

Addressing	DHCP, BOOTP or IP address by rotary switch
------------	--

DLR (Device Level Ring)	yes
-------------------------	-----

### Output

Actuator supply UA	24 V DC (EN 61131-2), max. 9 A
--------------------	--------------------------------

Switching current per output	max. 1.6 A (short-circuit and overload protected)
------------------------------	---

Lamp load	10 W
-----------	------

### Parameterization

PIN 4	Input/Output (port X0...X7)
-------	-----------------------------

PIN 2	Input/Output (port X0...X7)
-------	-----------------------------

### Diagnostic

Communication status	via LED
----------------------	---------

Diagnostic via LED	per module and channel
--------------------	------------------------

Diagnostic via BUS	per module and channel
--------------------	------------------------

Monitoring - under voltage	yes
----------------------------	-----

Monitoring - no voltage	yes
-------------------------	-----

Short-circuit and overload	yes
----------------------------	-----

### Commercial data

country of origin	DE
-------------------	----

customs tariff number	85389099
-----------------------	----------

EAN	4048879445481
-----	---------------

eClass	27242604
--------	----------

Packaging unit	1
----------------	---