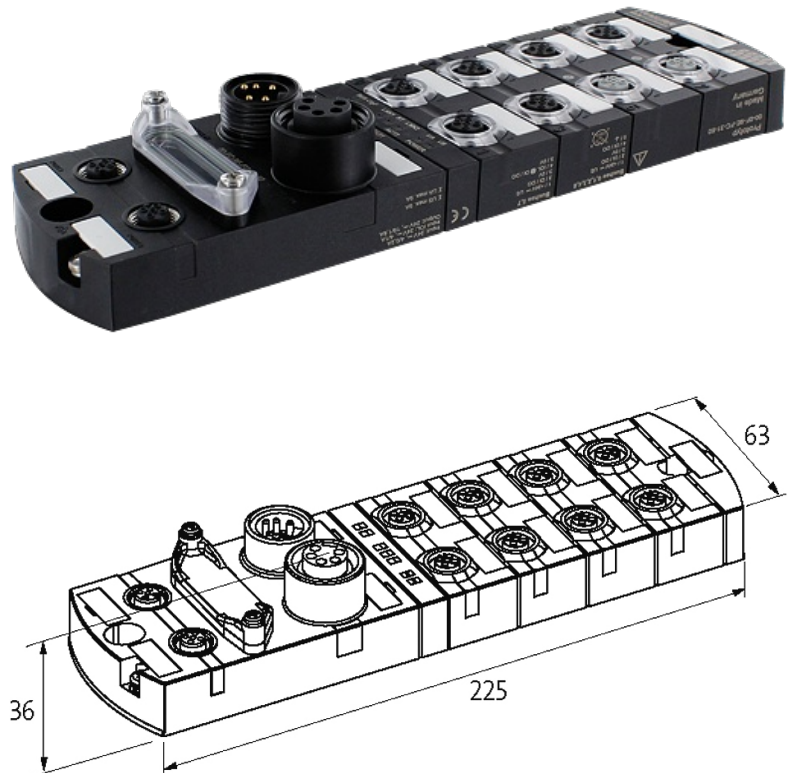


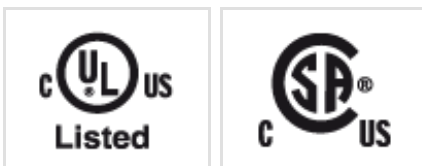
Impact67 PN DIO14 IOL2 IRT 7/8" 5pin

Digital inputs/outputs
DIO14 IOL2 (IRT)
M12, D-coded
IO-Link Master V1.12

Connection cables are in the online shop under "Connection Technology". Housing fully potted.

[Link to Product](#)**Illustration**

Product may differ from Image

Approvals**More Info**



Input

Sensor supply US	24 V DC (EN 61131-2), max. 200 mA (M12 female), short-circuit and overload protected
Type	for 3-wire sensors or mechanical switches, PNP, IO-Link Devices

Connections

Fieldbus	Ethernet 10/100 Mbit/s; M12, D-coded
Sensor-system/actuator supply	7/8", 5-pole, 2 × max. 9 A
I/O ports	M12, 5-pole, A-coded

General data

Protection	IP67
Mounting method	2 hole screw mounting, compatible with I/O modules of MVK model range
Dimensions H × W × D	39×63×225 mm
Temperature range	-25...+55 °C (storage temperature -25...+70 °C)

PROFINET

FSU (Fast-Start-Up)	max. 500 ms
Shared Device/Input	yes, for 2 controls
PROFINET Netload Class	III
Specification	V2.3, Conformance Class C (IRT)
Addressing	DCP

IO-Link

IO-Link	2 × Master
Operating modes	COM1; COM2; COM3 (automatic)
Transfer parameters	32 Byte (via IO-Link Port)
Port Class	Class B (not galvanically separated)
Specification	IO-Link Master V1.12

Output

Actuator supply UA	24 V DC (EN 61131-2), max. 9 A
Switching current per output	max. 1.6 A (short-circuit and overload protected)
Lamp load	10 W

Parameterization

PIN 4	Input (port X0...X7); Output (port X0...X4, X6); IO-Link Master (port X5, X7)
PIN 2	Input/Output (port X0...X7); U-Actuator IO-Link Class B (port X5, X7)

Diagnostic

Communication status	via LED
----------------------	---------

Diagnostic via LED	per module and channel
Diagnostic via BUS	per module and channel
Monitoring - under voltage	yes
Monitoring - no voltage	yes
Short-circuit and overload	yes
Actuator warning	per channel via LED and BUS
Cable break	per port

Commercial data

country of origin	DE
customs tariff number	85389099
EAN	4048879585460
eClass	27242604
Packaging unit	1