

IMPACT67 E DIO16 4P

IMPACT67 EthernetIP compact module, plastic housing,

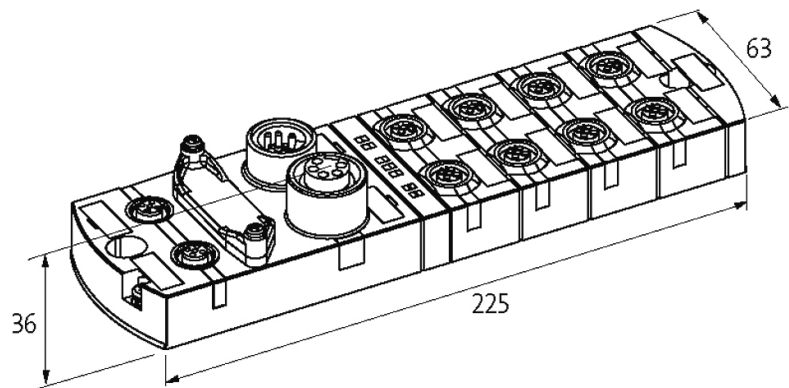
Digital inputs/outputs

DIO16

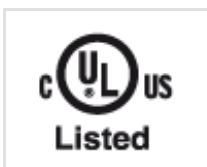
DLR (Device Level Ring)

M12, D-coded

Connection cables are in the online shop under "Connection Technology". Housing fully potted.

[Link to Product](#)**Illustration**

Product may differ from Image

Approvals**More Info**



Input

| | |
|------------------|--|
| Sensor supply US | 24 V DC (EN 61131-2), max. 200 mA (M12 female), short-circuit and overload protected |
| Type | for 3-wire sensors or mechanical switches, PNP |

Connections

| | |
|-------------------------------|--------------------------------------|
| Fieldbus | Ethernet 10/100 Mbit/s; M12, D-coded |
| Sensor-system/actuator supply | 7/8", 4-pole, 2 × max. 9 A |
| I/O ports | M12, 5-pole, A-coded |

General data

| | |
|----------------------|---|
| Protection | IP67 |
| Mounting method | 2 hole screw mounting, compatible with I/O modules of MVK model range |
| Dimensions H × W × D | 39×63×225 mm |
| Temperature range | -25...+55 °C (storage temperature -40...+85 °C) |

EtherNet/IP

| | |
|-------------------------|---|
| Addressing | DHCP, BOOTP or IP address by DIP switch |
| QC (Quick Connect) | max. 360 ms |
| Multiple connections | yes |
| CIP Sync | yes |
| Composite Test Revision | CT 14 |
| DLR (Device Level Ring) | yes |

Output

| | |
|------------------------------|---|
| Actuator supply UA | 24 V DC (EN 61131-2), max. 9 A |
| Switching current per output | max. 1.6 A (short-circuit and overload protected) |
| Lamp load | 10 W |

Parameterization

| | |
|-------|-----------------------------|
| PIN 4 | Input/Output (port X0...X7) |
| PIN 2 | Input/Output (port X0...X7) |

Diagnostic

| | |
|----------------------------|-----------------------------|
| Communication status | via LED |
| Diagnostic via LED | per module and channel |
| Diagnostic via BUS | per module and channel |
| Monitoring - under voltage | yes |
| Monitoring - no voltage | yes |
| Short-circuit and overload | yes |
| Actuator warning | per channel via LED and BUS |

Commercial data

| | |
|-----------------------|---------------|
| country of origin | DE |
| customs tariff number | 85389099 |
| EAN | 4048879699723 |
| eClass | 27242604 |
| Packaging unit | 1 |