

MVK+MPNIO DI8 DO8 POF (POLYMER OPTICAL FIBER)

Push Pull galvanic separation

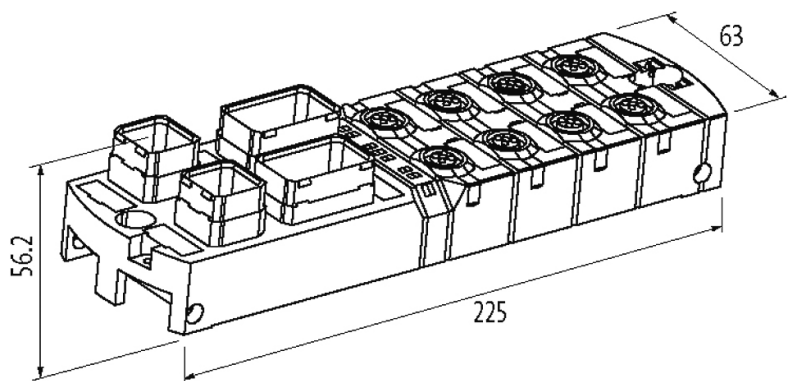
Digital inputs/outputs

DI8 (DO8)

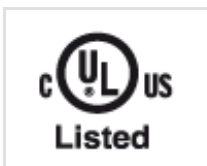
Push Pull

POF

Connection cables are in the online shop under "Connection Technology". Housing fully potted.

[Link to Product](#)**Illustration**

Product may differ from Image

Approvals**More Info**



Input

Sensor supply US	24 V DC (EN 61131-2), max. 200 mA (M12 female), short-circuit and overload protected
Type	for 3-wire sensors or mechanical switches, PNP

Connections

Fieldbus	Ethernet 10/100 Mbit/s; 2 × SCRJ45 POF-Push Pull
Sensor-system/actuator supply	Push Pull Power connector, max. 12 A
I/O ports	M12, 5-pole, A-coded

General data

Protection	IP67
Mounting method	2-hole screw mounting
Temperature range	0...+55 °C (storage temperature -20...+70 °C)
Dimensions H × W × D	56.2×63×225 mm

PROFINET

FSU (Fast-Start-Up)	max. 500 ms
PROFINET Netload Class	I
Specification	V2.2, Conformance Class B
MRP	yes
Addressing	DCP

Output

Actuator supply UA	24 V DC (EN 61131-2), max. 12 A
Switching current per output	max. 2 A (short-circuit and overload protected)
Lamp load	10 W

Parameterization

PIN 4	Input (port 4...7); Output (port 0...3)
PIN 2	Input (port 4...7); Output (port 0...3)

Diagnostic

Communication status	via LED
Diagnostic via LED	per module and channel
Diagnostic via BUS	per module and channel
Monitoring - under voltage	yes
Monitoring - no voltage	yes
Short-circuit and overload	yes
Actuator warning	per channel via LED and BUS
Cable break	per port
Further	POF- dumping/length measurement

Commercial data

country of origin	DE
customs tariff number	85389099
EAN	4048879431248
eClass	27242604
Packaging unit	1