

MVK+ MPNIO DI8 DO8 GALVANIC SEPARATION

MVK ProfiNet Compact module, metal

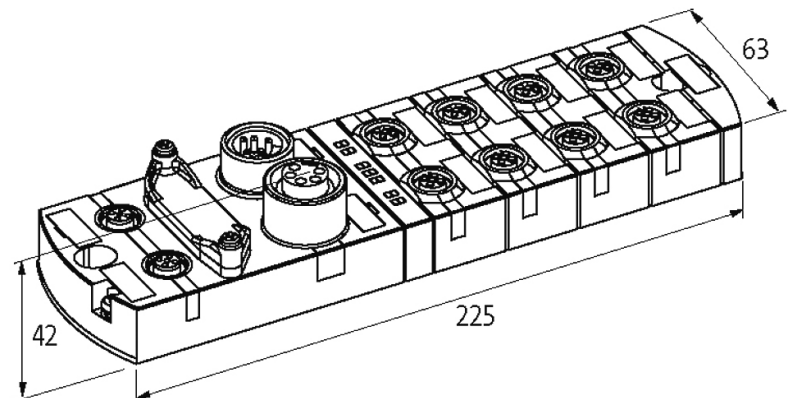
Digital inputs/outputs

DO8 (DI4 DI4)

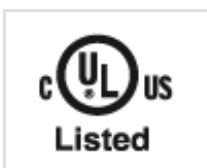
M12, D-coded

FSU (Fast-Start-Up)

Connection cables are in the online shop under "Connection Technology". Housing fully potted.

[Link to Product](#)**Illustration**

Product may differ from Image

Approvals**More Info**



Input

| | |
|------------------|--|
| Sensor supply US | 24 V DC (EN 61131-2), max. 200 mA (M12 female), short-circuit and overload protected |
| Type | for 3-wire sensors or mechanical switches, PNP |

Connections

| | |
|-------------------------------|---|
| Fieldbus | Ethernet 10/100 Mbit/s; M12, D-coded |
| Sensor-system/actuator supply | 7/8", 5-pole, max. 9 A, protection against reverse polarization |
| I/O ports | M12, 5-pole, A-coded |

General data

| | |
|----------------------|---|
| Protection | IP67 |
| Mounting method | 2-hole screw mounting |
| Temperature range | -25...+55 °C (storage temperature -25...+70 °C) |
| Dimensions H x W x D | 39x63x225 mm |

PROFINET

| | |
|---------------------|---------------------------|
| FSU (Fast-Start-Up) | max. 500 ms |
| Specification | V2.2, Conformance Class B |
| MRP | yes |
| Addressing | DCP |

Output

| | |
|------------------------------|---|
| Actuator supply UA | 24 V DC (EN 61131-2), max. 9 A |
| Switching current per output | max. 2 A (short-circuit and overload protected) |
| Lamp load | 10 W |

Parameterization

| | |
|-------|---|
| PIN 4 | Input (port 4...7); Output (port 0...3) |
| PIN 2 | Input (port 4...7); Output (port 0...3) |

Diagnostic

| | |
|----------------------------|-----------------------------|
| Communication status | via LED |
| Diagnostic via LED | per module and channel |
| Diagnostic via BUS | per module and channel |
| Monitoring - under voltage | yes |
| Monitoring - no voltage | yes |
| Short-circuit and overload | yes |
| Actuator warning | per channel via LED and BUS |
| Cable break | per port |

Commercial data

| | |
|-----------------------|---------------|
| country of origin | DE |
| customs tariff number | 85176200 |
| EAN | 4048879377744 |
| eClass | 27242604 |
| Packaging unit | 1 |