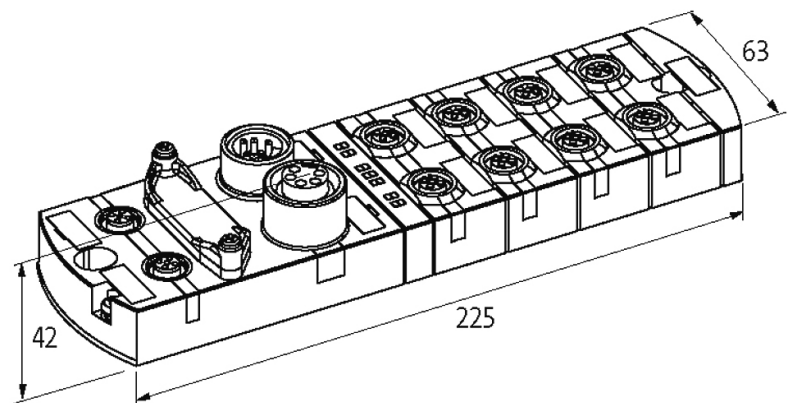


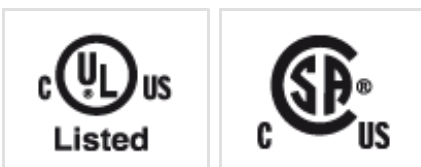
MVK-MPNIO DIO16 IRT 7/8" 5pin

Digital inputs/outputs
DIO16 (IRT)
M12, D-coded

Connection cables are in the online shop under "Connection Technology". Housing fully potted.

[Link to Product](#)**Illustration**

Product may differ from Image

Approvals**More Info**



Input

Sensor supply US	24 V DC (EN 61131-2), max. 200 mA (M12 female), short-circuit and overload protected
Type	for 3-wire sensors or mechanical switches, PNP

Connections

Fieldbus	Ethernet 10/100 Mbit/s; M12, D-coded
Sensor-system/actuator supply	7/8", 5-pole, 2 × max. 9 A
I/O ports	M12, 5-pole, A-coded

General data

Protection	IP67
Mounting method	2-hole screw mounting
Dimensions H × W × D	42×63×225 mm
Temperature range	-25...+60 °C (storage temperature -25...+70 °C)

PROFINET

FSU (Fast-Start-Up)	max. 500 ms
Shared Device/Input	yes, for 2 controls
PROFINET Netload Class	III
Specification	V2.3, Conformance Class C (IRT)
MRP	yes
Addressing	DCP

Output

Actuator supply UA	24 V DC (EN 61131-2), max. 9 A
Switching current per output	max. 1.6 A (short-circuit and overload protected)
Lamp load	10 W

Parameterization

PIN 4	Input/Output (port X0...X7)
PIN 2	Input/Output (port X0...X7)

Diagnostic

Communication status	via LED
Diagnostic via LED	per module and channel
Diagnostic via BUS	per module and channel
Monitoring - under voltage	yes
Monitoring - no voltage	yes
Short-circuit and overload	yes
Actuator warning	per channel via LED and BUS
Cable break	per port

Commercial data

country of origin	DE
customs tariff number	85389099
EAN	4048879527576
eClass	27242604
Packaging unit	1