

SAFETY WIRING SYSTEM

EMERGENCY OFF PUSH BUTTON with M12

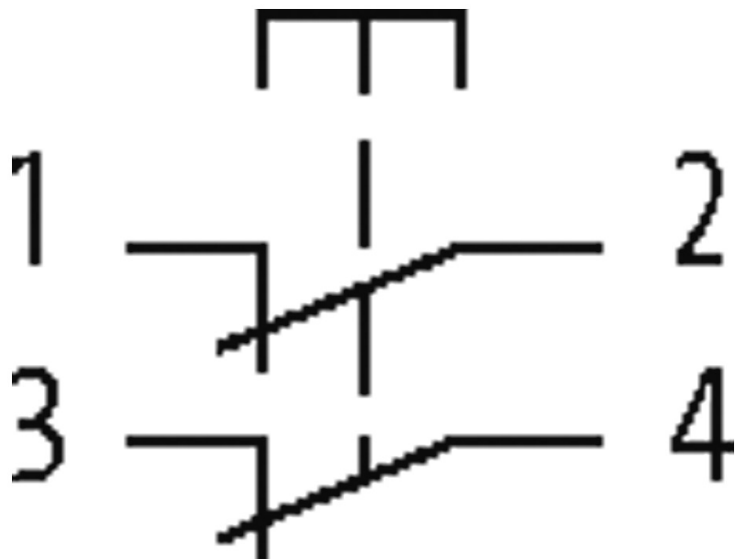
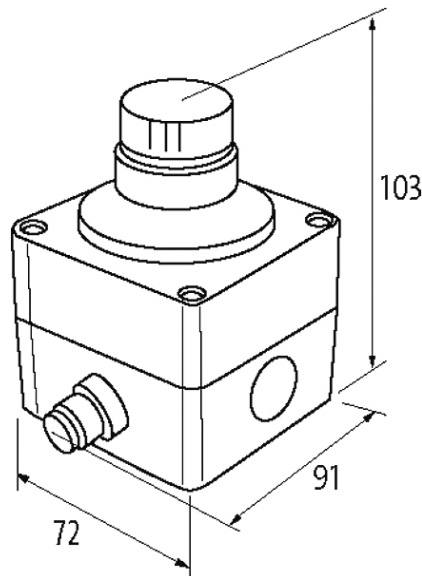
E-Stop 72 2NC M12(4)
with M12 connection
4-pole
Emergency-Stop button
2 NC (positively-opening)

[Link to Product](#)**Illustration**

Male



PIN 1: N/C 1
PIN 2: N/C 1
PIN 3: N/C 2
PIN 4: N/C 2



Product may differ from Image

Components approvals

Contact maker	UL, TÜV
Emergency-Stop button	cULus, TÜV, UR (NISD 2)
Housing	cULus, Type 4x
Connector	UR
Module holder	UL, TÜV

Contact Layout

PIN 1	N/C 1
PIN 2	N/C 1
PIN 3	N/C 2
PIN 4	N/C 2

Utilization category

AC-15	3 A (250 V AC)
-------	----------------

The information in this brochure has been compiled with the utmost care.

Liability for the correctness completeness and topicality of the information is restricted to gross negligence. Version: 03/19

Murrelektronik GmbH | Falkenstraße 3 | 71570 Oppenweiler | Fon +49 (71 91) 47-0 | Fax +49 (71 91) 47-491000 | shop@murrelektronik.com | shop.murrelektronik.com

DC-13	2 A (24 V DC)
-------	---------------

Technical Data

Switching capacity	30 A (AC 15); 2.2 A (DC 13)
--------------------	-----------------------------

Contact bounce time	max. 9 ms
---------------------	-----------

General data

Mech./elect. life	1 000 000 operations, load-temperature dependent
-------------------	--

Lambda (d)	20% (N/C)
------------	-----------

Material (contact)	Ag Ni
--------------------	-------

B10d	250 000
------	---------

Protection	IP65
------------	------

Connection	M12 (4-pole)
------------	--------------

Mounting method	screw fixing
-----------------	--------------

Dimensions H x W x D	103x72x91 mm
----------------------	--------------

Temperature range	-25...+60 °C (storage temperature -25...+85 °C)
-------------------	---

Commercial data

country of origin	DE
-------------------	----

customs tariff number	85365080
-----------------------	----------

EAN	4048879050654
-----	---------------

eClass	27371244
--------	----------

Packaging unit	1
----------------	---