

**Product discontinued until 31.12.2018**

MASI65 I/O MODUL, 4 digital outputs

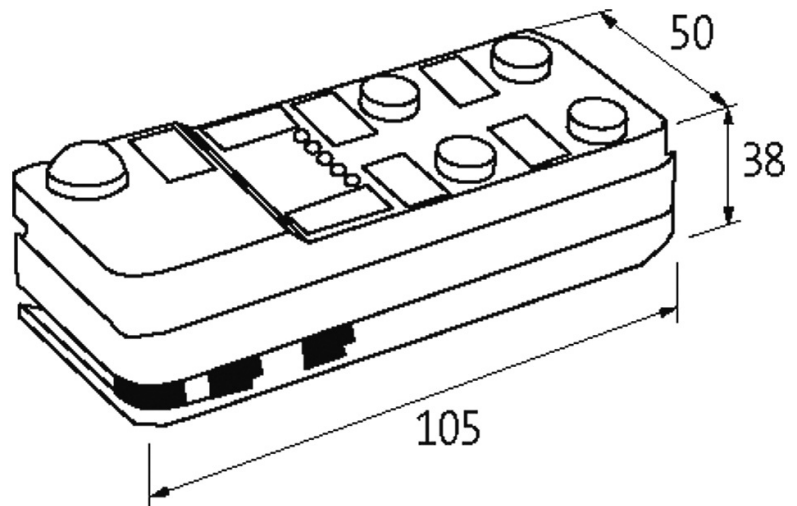
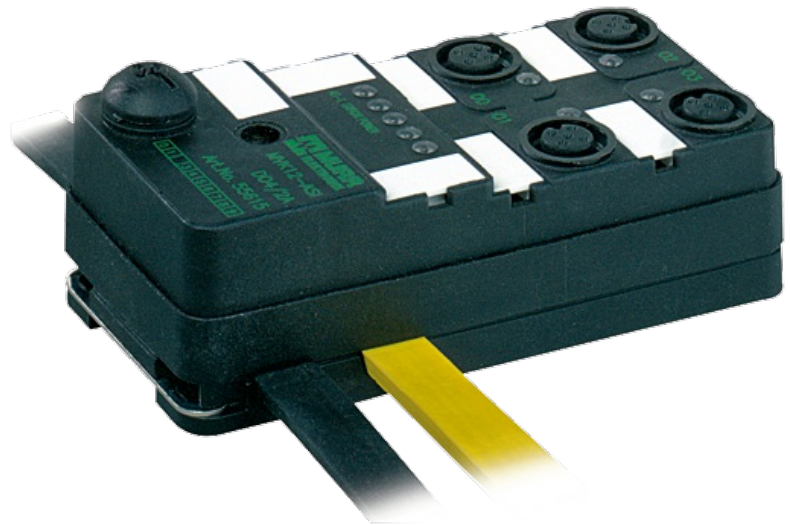
DO4 - 0.5 A

Y-wiring

4 x M12

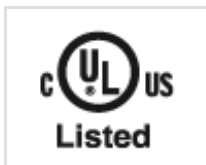
[Link to Product](#)

**Illustration**



Product may differ from Image

**Approvals**



### Technical Data

Bus voltage (AS-Interface)	26.5...31.6 V DC
Total current (AS-Interface)	max. 50 mA
Addressing	1...31 via address port
Profile (IO/ID/ID2 code)	S-8.1.E
Y-wiring	yes

### General data

Protection	IP67
Dimensions H x W x D	38x50x105 mm
Temperature range	0...+55 °C

### Output

Supply voltage	24 V DC external (18...30.2 V DC) EN 61131-2, connection via black AS-Interface profile cable
Switching current per output	max. 0.5 A (short-circuit and overload protected)
Total current	max. 4 A

### Diagnostic

Communication status	via LED
Diagnostic via LED	per module
Monitoring - no voltage	yes

### Commercial data

country of origin	CZ
customs tariff number	85176200
EAN	4048879050609
eClass	27242604
Packaging unit	1