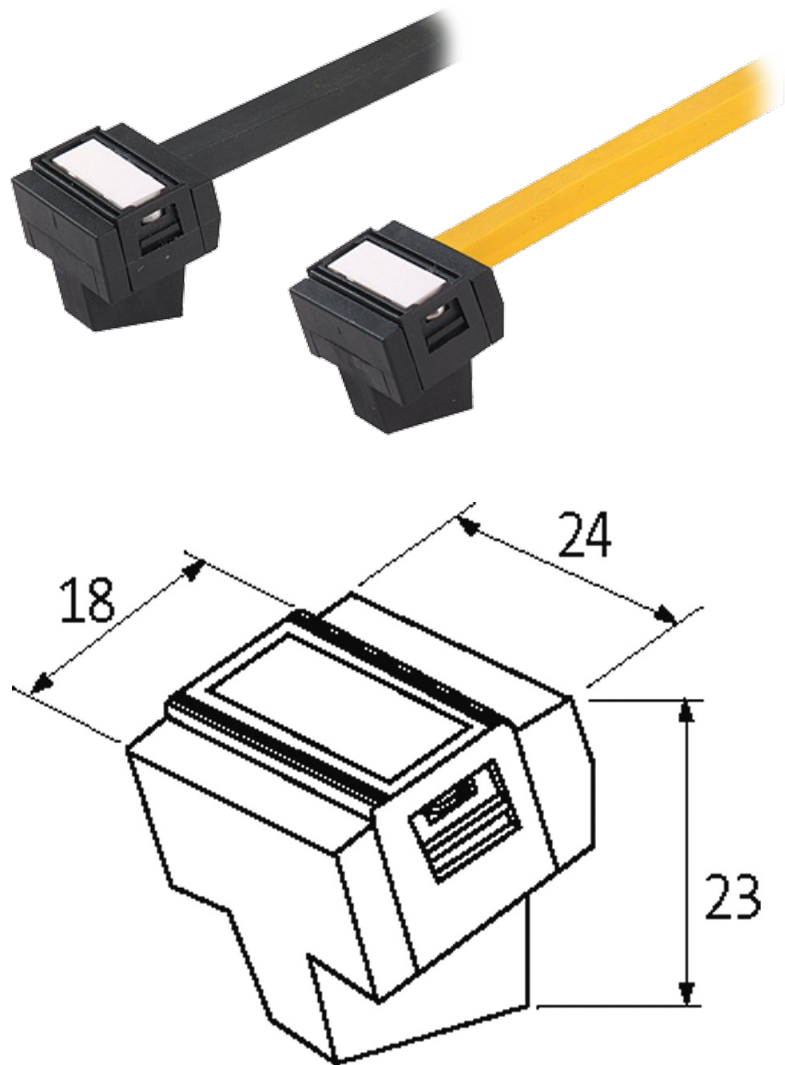


MASI20 INSTALLATION TECHNOL.

Plug terminal for AS-Interface profile cable

Plug terminal
for bus or power distributor[Link to Product](#)**Illustration**

Product may differ from Image

Approvals**Technical Data**

The information in this brochure has been compiled with the utmost care.

Liability for the correctness completeness and topicality of the information is restricted to gross negligence. Version: 03/19

Murrelektronik GmbH | Falkenstraße 3 | 71570 Oppenweiler | Fon +49 (71 91) 47-0 | Fax +49 (71 91) 47-491000 | shop@murrelektronik.com | shop.murrelektronik.com

Operating voltage	max. 36 V DC
-------------------	--------------

Total current	max. 8 A
---------------	----------

General data

Connection	Insulation displacement technology
------------	------------------------------------

Temperature range	-20...+70 °C (storage temperature -40...+80 °C)
-------------------	---

Dimensions H x W x D	23x24x18 mm
----------------------	-------------

Commercial data

country of origin	DE
-------------------	----

customs tariff number	85369010
-----------------------	----------

EAN	4048879050517
-----	---------------

eClass	27141106
--------	----------

Packaging unit	1
----------------	---