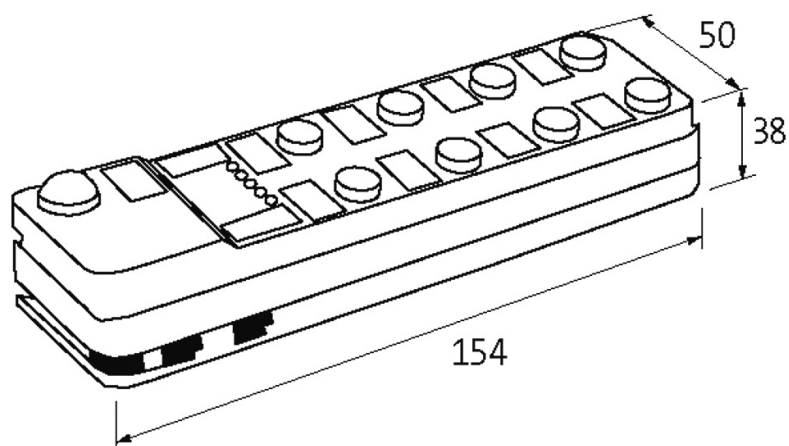
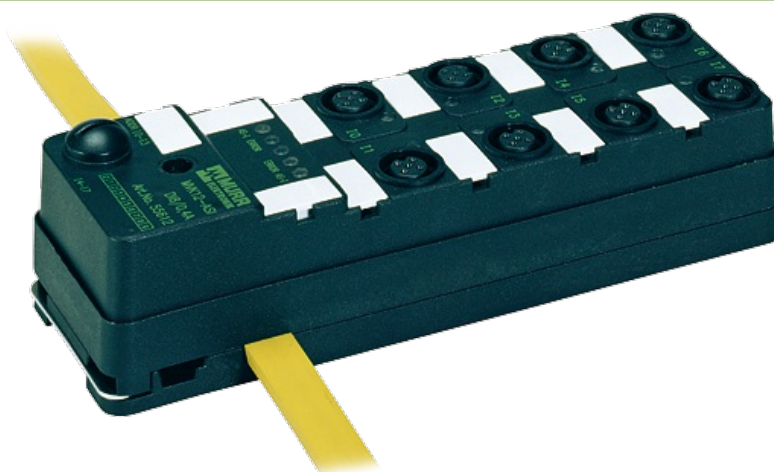


Product discontinued until 31.12.2018

MASI65 I/O MODULE, 8 digital inputs

DI8 - 0.4 A

8 × M12

[Link to Product](#)**Illustration**

Product may differ from Image

Approvals**Input**

Type	for 3-wire sensors or mechanical switches, PNP
Sensor supply US	max. 400 mA from AS-Interface, (short-circuit and overload

Sensor supply bus

protected)

Technical Data

Y-wiring	no
Bus distribution function	no
Bus voltage (AS-Interface)	26.5...31.6 V DC
Total current (AS-Interface)	max. 450 mA
Addressing	2 × 1...31 via address port
Profile (IO/ID/ID2 code)	2 × S-0.0.F

General data

Protection	IP67
Dimensions H × W × D	38×50×154 mm
Temperature range	0...+55 °C

Diagnostic

Communication status	via LED
Diagnostic via LED	per module
Monitoring - no voltage	yes

Commercial data

country of origin	CZ
customs tariff number	85176200
EAN	4048879050456
eClass	27242604
Packaging unit	1