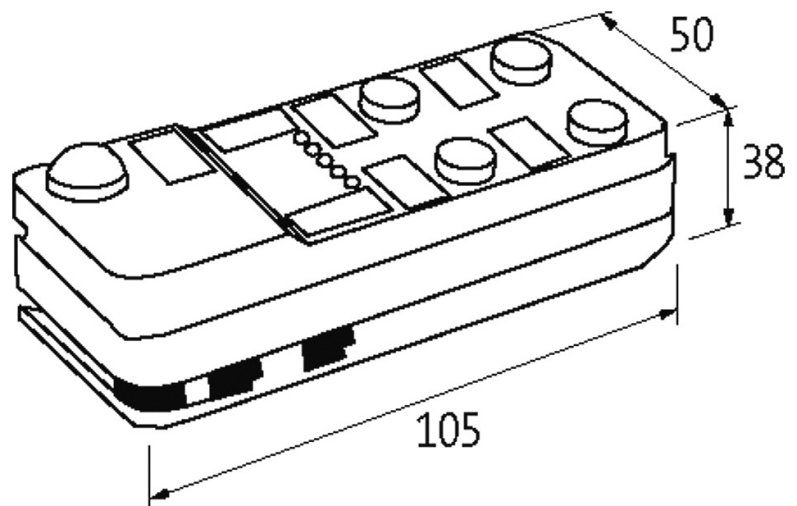


Product discontinued until 31.12.2018

MASI65 I/O MODULE, 4 digital outputs

DO4 - 2 A

4 × M12

[Link to Product](#)**Illustration**

Product may differ from Image

Approvals**Technical Data**

The information in this brochure has been compiled with the utmost care.

Liability for the correctness completeness and topicality of the information is restricted to gross negligence. Version: 03/19

Murrelektronik GmbH | Falkenstraße 3 | 71570 Oppenweiler | Fon +49 (71 91) 47-0 | Fax +49 (71 91) 47-491000 | shop@murrelektronik.com | shop.murrelektronik.com

Bus voltage (AS-Interface)	26.5...31.6 V DC
Total current (AS-Interface)	max. 50 mA
Addressing	1...31 via address port
Profile (IO/ID/ID2 code)	S-8.0.E

General data

Dimensions H x W x D	38x50x154 mm
Protection	IP67
Temperature range	0...+55 °C

Output

Supply voltage	24 V DC external (18...30.2 V DC) EN 61131-2, connection via black AS-Interface profile cable
Switching current per output	max. 2 A (short-circuit and overload protected)
Total current	max. 4 A

Diagnostic

Communication status	via LED
Diagnostic via LED	per module
Monitoring - no voltage	yes

Commercial data

country of origin	CZ
customs tariff number	85176200
EAN	4048879050432
eClass	27242604
Packaging unit	1