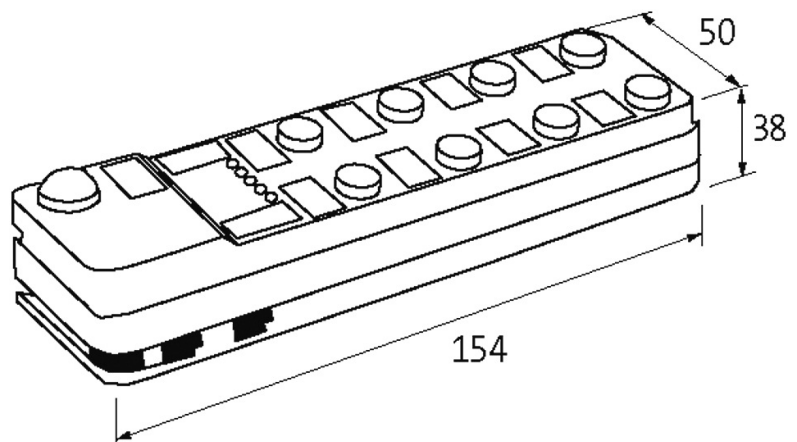


Product discontinued until 31.12.2018

MASI65 I/O MODULE, 4 digital inputs, 4 digital outputs

DI4/DO4 - 0.2/2 A

8 × M12

[Link to Product](#)**Illustration**

Product may differ from Image

Approvals**Input**

Type	for 3-wire sensors or mechanical switches, PNP
Sensor supply US	max. 200 mA from AS-Interface (short-circuit and overload protected)

Technical Data

Bus voltage (AS-Interface)	26.5...31.6 V DC
Total current (AS-Interface)	max. 250 mA
Addressing	1...31 via address port
Profile (IO/ID/ID2 code)	S-7.0.E
Y-wiring	no

General data

Protection	IP67
Temperature range	0...+55 °C (storage temperature -20...+70 °C)
Dimensions H x W x D	38x50x154 mm

Output

Supply voltage	24 V DC external (18...30.2 V DC) EN 61131-2, connection via black AS-Interface profile cable
Switching current per output	max. 2 A (short-circuit and overload protected)
Total current	max. 4 A

Diagnostic

Communication status	via LED
Diagnostic via LED	per module
Monitoring - no voltage	yes

Commercial data

country of origin	CZ
customs tariff number	85176200
EAN	4048879050371
eClass	27242604
Packaging unit	1