

Product discontinued until 31.12.2018

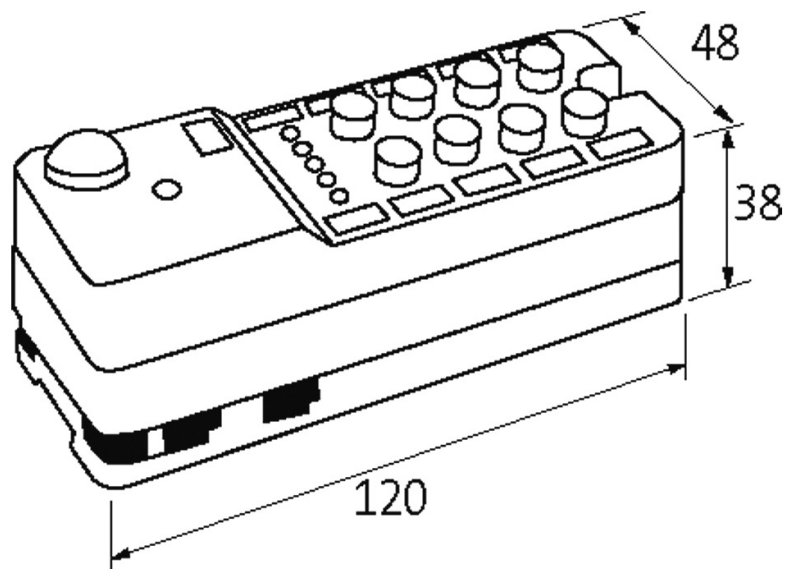
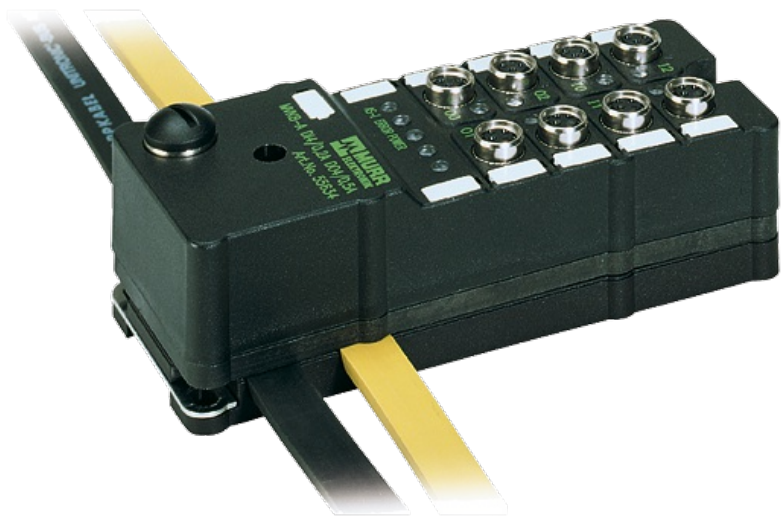
MASI65 I/O MODULE, 4 digital inputs, 4 digital outputs

4 inputs 1.6 A

4 outputs 0.5 A

Sensor supply from external 24 V DC

8 × M8

[Link to Product](#)**Illustration**

Product may differ from Image

Approvals



Input

Supply voltage	24 V DC external (18...30.2 V DC) EN 61131-2, connection via black AS-Interface profile cable
Sensor supply US	max. 1.6 A external (short-circuit and overload protected)
Type	for 3-wire sensors or mechanical switches, PNP

Technical Data

Total current (AS-Interface)	max. 50 mA
Bus voltage (AS-Interface)	26.5...31.6 V DC
Addressing	1...31 via address port
Profile (IO/ID/ID2 code)	S-7.0.E

General data

Protection	IP67
Dimensions H x W x D	43x48x120 mm
Temperature range	0...+55 °C

Output

Supply voltage	24 V DC external (18...30.2 V DC) EN 61131-2, connection via black AS-Interface profile cable
Switching current per output	max. 0.5 A (short-circuit and overload protected)
Total current	max. 2 A

Diagnostic

Communication status	via LED
Diagnostic via LED	per module
Monitoring - no voltage	yes

Commercial data

country of origin	CZ
customs tariff number	85176200
EAN	4048879050302
eClass	27242604
Packaging unit	1