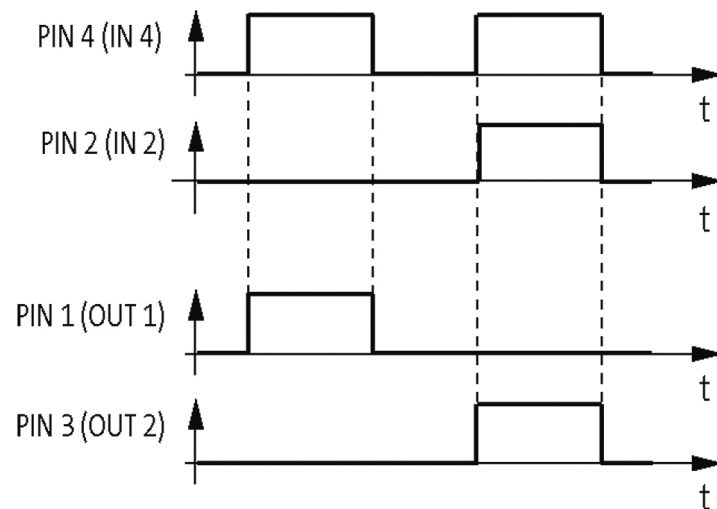
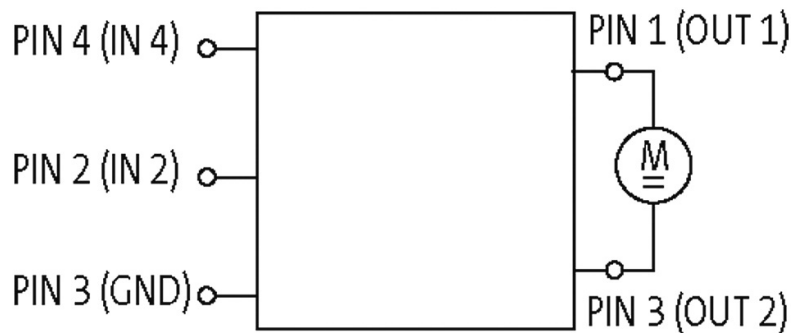
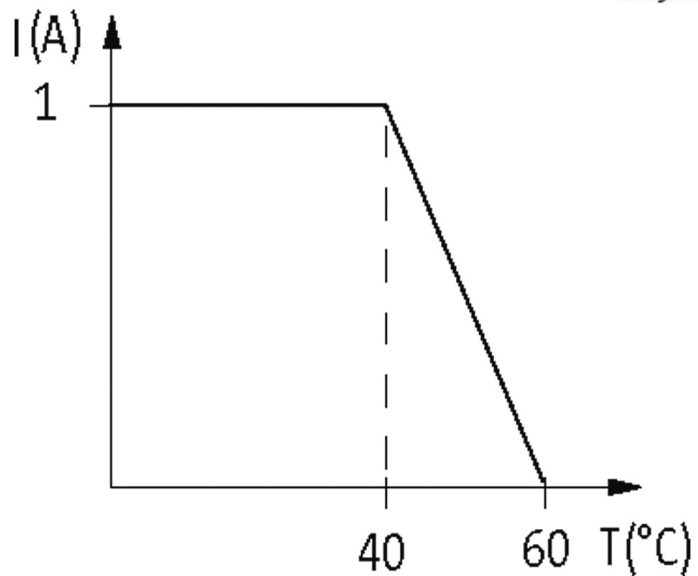


DC MOTOR CONTROL 24V/1A 2X M12

DC Motor control
24 V DC
Current: 1 A

[Link to Product](#)**Illustration****Time diagram**



Product may differ from Image

Input

Connection voltage - current 24 V DC (5...32 V DC) - 1 A

General data

Connection	M12 – M12
Test isolation voltage	no galvanic separation
Protection	IP67 inserted and tightened (EN 60529)
Dimensions H × W × D	24.5×24.5×60.5 mm
Temperature range	0...+60 °C (storage temperature -40...+80 °C)

Output

Output voltage	approx. input voltage
Output current	max. 1 A
Over voltage protection	36 V/1.5 kW

Commercial data

country of origin	CZ
customs tariff number	85365080
EAN	4048879315111
eClass	27242609
Packaging unit	1

