

Product discontinued until 31.12.2018

MASI65 I/O MODULE, 8 digital inputs

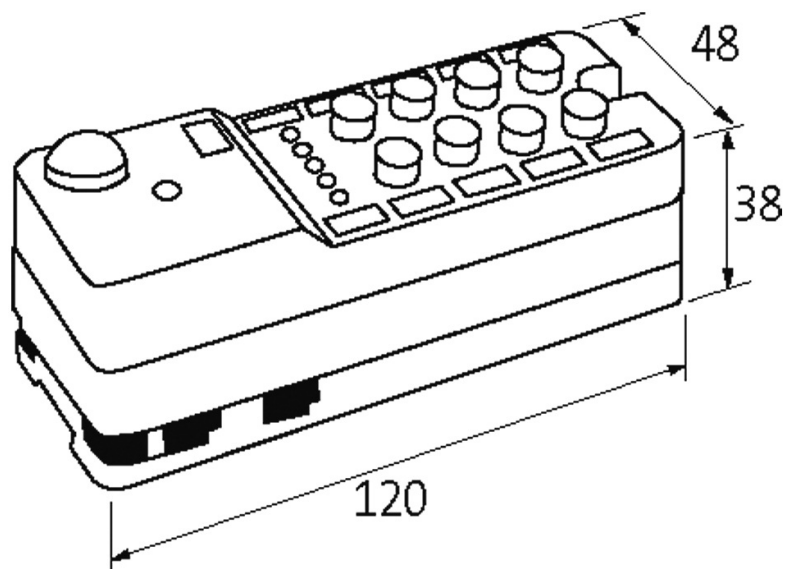
DI8 - 0.24 A

AB-Slave

8 × M8

[Link to Product](#)

Illustration



Product may differ from Image

Approvals



Input

Sensor supply US	max. 240 mA from AS-Interface (short-circuit and overload protected)
Type	for 3-wire sensors or mechanical switches, PNP

Technical Data

Bus distribution function	no
Bus voltage (AS-Interface)	26.5...31.6 V DC
Addressing	2 × 1...31 A or B via address port
Profile (IO/ID/ID2 code)	2 × S-0.A.0
Total current (AS-Interface)	max. 290 mA

General data

Protection	IP67
Dimensions H × W × D	33×48×120 mm
Temperature range	0...+55 °C

Diagnostic

Communication status	via LED
Diagnostic via LED	per module
Monitoring - no voltage	yes

Commercial data

country of origin	CZ
customs tariff number	85176200
EAN	4048879050234
eClass	27242604
Packaging unit	1