

MASI65 VALVE PLUG PLUG

2 digital inputs, 2 digital outputs

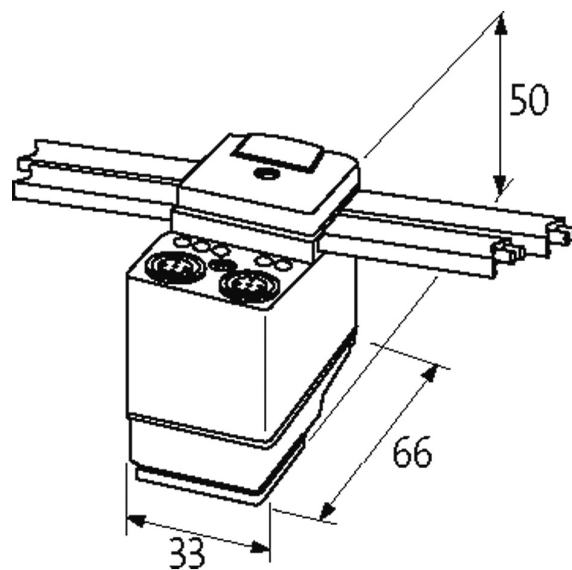
Digital inputs/outputs

DI2 - 0.2 A (M12)

DO2 - 2 A (Form A/M12)

[Link to Product](#)

Illustration



Product may differ from Image

Approvals



Input

Connection	1 and 2 – M12
Type	for 3-wire sensors or mechanical switches, PNP
Sensor supply US	max. 200 mA from AS-Interface (short-circuit and overload protected)

Technical Data

Bus voltage (AS-Interface)	26.5...31.6 V DC
Total current (AS-Interface)	max. 250 mA
Addressing	1...31 via address port
Profile (IO/ID/ID2 code)	S-3.F.E
Pin spacing	18 mm

General data

Protection	IP67
Temperature range	-20...+70 °C (storage temperature -20...+70 °C)

Output

Connection	OUT 1 (Form A), OUT 2 (M12)
Supply voltage	24 V DC external (18...30.2 V DC) EN 61131-2, connection via black AS-Interface profile cable
Switching current per output	max. 2 A (short-circuit and overload protected)
Total current	max. 2 A (only 1 output active)

Diagnostic

Communication status	via LED
Diagnostic via LED	per module
Monitoring - no voltage	yes

Commercial data

country of origin	CZ
customs tariff number	85176200
EAN	4048879050180
eClass	27242604
Packaging unit	1