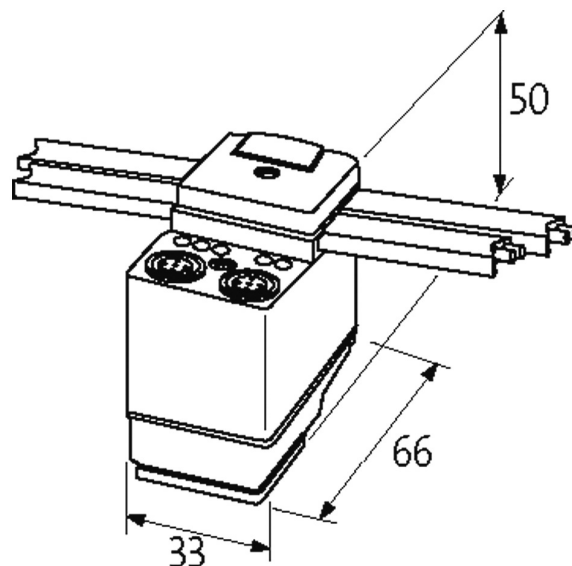


MASI65 VALVE PLUG PLUG

2 digital outputs

Digital outputs
DO2 - 2 A (Form A/M12)[Link to Product](#)**Illustration**

Product may differ from Image

Approvals



Technical Data

Bus voltage (AS-Interface)	26.5...31.6 V DC
Total current (AS-Interface)	max. 50 mA
Addressing	1...31 via address port
Profile (IO/ID/ID2 code)	S-3.F.E
Pin spacing	18 mm

General data

Protection	IP67
Temperature range	-20...+70 °C (storage temperature -20...+70 °C)

Output

Connection	OUT 1 (Form A), OUT 2 (M12)
Supply voltage	24 V DC external (18...30.2 V DC) EN 61131-2, connection via black AS-Interface profile cable
Switching current per output	max. 2 A (short-circuit and overload protected)
Total current	max. 2 A (only 1 output active)

Diagnostic

Communication status	via LED
Diagnostic via LED	per module
Monitoring - no voltage	yes

Commercial data

country of origin	CZ
customs tariff number	85176200
EAN	4048879050173
eClass	27242604
Packaging unit	1