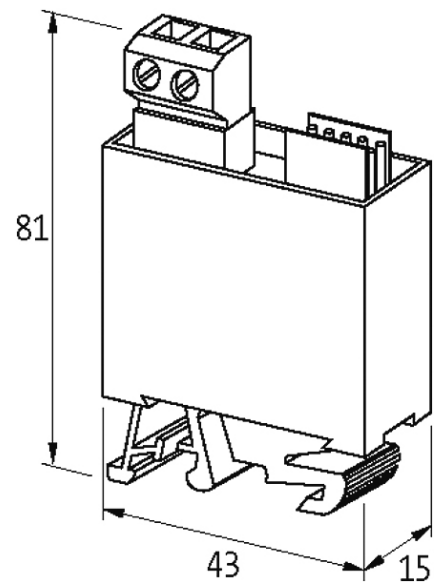


MASI00 I/O MODULE

4 digital inputs, 4 digital outputs

Digital inputs/outputs
DI4/DO4 - 0.2 A (AB)
IP00[Link to Product](#)**Illustration**

Product may differ from Image

Approvals



Input

Sensor supply US	max. 200 mA from AS-Interface (short-circuit and overload protected)
Type	for standard switches

Technical Data

Bus voltage (AS-Interface)	26.5...31.6 V DC
Total current (AS-Interface)	max. 250 mA
Current consumption	max. 200 mA
Addressing	1...62 (1...31 A or B) via plug-in terminal
Address range	1...62 (1...31 A or B)
Profile (IO/ID/ID2 code)	S-7.A.7

General data

Protection	IP00
Connection AS-Interface	Screw plug-in terminal: 0.2...2.5 mm ²
Mounting method	DIN-rail mountable (EN 60715)
Temperature range	0...+55 °C (storage temperature -20...+70 °C)
Dimensions H × W × D	43×15×81 mm

Output

Switching current per output	max. 0.2 A (short-circuit and overload protected)
Total current	max. 200 mA
Switch off time in case of short circuit	approx. 50 ms

Diagnostic

Communication status	via LED
Diagnostic via LED	per module
Monitoring - no voltage	yes

Commercial data

country of origin	DE
customs tariff number	85389091
EAN	4048879050043
eClass	27242604
Packaging unit	1