

CUBE20 BUS NODE ETHERNET-IP

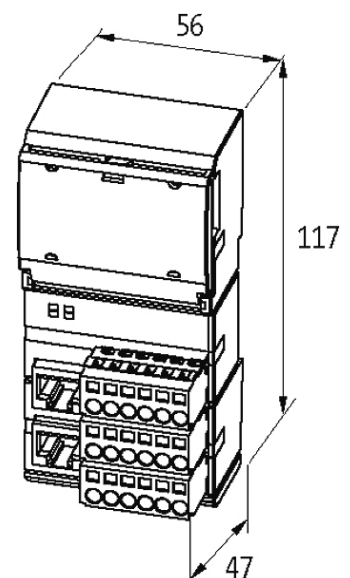
8 digital inputs

Bus nodes

DI8 - (BN-E)

EtherNet/IP

Connection cables are in the online shop under "Connection Technology".

[Link to Product](#)**Illustration**

Product may differ from image

Approvals



More Info



Input

Sensor supply US	24 V DC (EN 61131-2), max. 700 mA per module
Type	PNP (EN 61131-2)
Input filter	1 ms
Galvanic isolation	500 V DC between I/O and system electronics

Connections

Fieldbus	Ethernet 10/100 Mbit/s; 2 × RJ45 (female)
Sensor-system/actuator supply	4 × spring clamp plug-in terminals, max. 2.5 mm ² (max. 12 A)
Internal system connection	4 × spring clamp plug-in terminals, max. 2.5 mm ² (max. 12 A)
I/O ports	8 × spring clamp plug-in terminals, max. 2.5 mm ²

Module supply

Operating voltage	24 V DC (EN 61131-2)
Current consumption	max. 150 mA

General data

Protection	IP20
Mounting method	DIN-rail mountable (EN 60715)
Temperature range	0...+55 °C (storage temperature -20...+85 °C)
Dimensions H × W × D	117×56×47 mm

EtherNet/IP

Addressing	DHCP, BOOTP or IP address by rotary switch
------------	--

Cube system

Module capacity	max. 15
I/O capacity	max. 504 Byte (Input), max. 500 Byte (Output)

Parameterization

Terminal row X2 (4 channels)	Input
Terminal row X3 (4 channels)	Input

Diagnostic

Communication status	via LED and BUS
Diagnostic via LED	per module

Diagnostic via BUS	per module and channel
Monitoring - under voltage	yes
Monitoring - no voltage	no
Short-circuit and overload	yes

Commercial data

country of origin	DE
customs tariff number	85176200
EAN	4048879049498
eClass	27242604
Packaging unit	1