

MASI67 I/O MODULE

8 digital inputs

Digital inputs

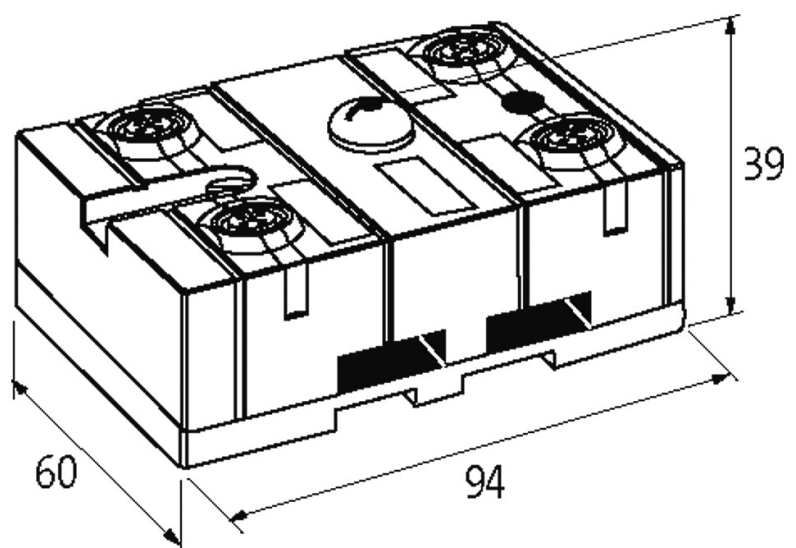
DI8 - 0.24 A (AB) 4×M12

Double assignment of M12 females, PIN 2 + 4

Connection cables are in the online shop under "Connection Technology". Housing fully potted.

[Link to Product](#)

Illustration



Product may differ from Image

Approvals

The information in this brochure has been compiled with the utmost care.

Liability for the correctness completeness and topicality of the information is restricted to gross negligence. Version: 03/19

Murrelektronik GmbH | Falkenstraße 3 | 71570 Oppenweiler | Fon +49 (71 91) 47-0 | Fax +49 (71 91) 47-491000 | shop@murrelektronik.com | shop.murrelektronik.com



Input

Sensor supply US	max. 240 mA from AS-Interface (short-circuit and overload protected)
Type	for 3-wire sensors or mechanical switches, PNP

Technical Data

Bus voltage (AS-Interface)	26.5...31.6 V DC
Total current	max. 290 mA
Addressing	via built-in address port or master
Address range	1...62 (2 × 1...31 A or B)
Profile (IO/ID/ID2 code)	2 × S-0.A.2
Double assignment of M12 female	yes
PIN 2 and PIN 4 of M12 female bridged	no

General data

Protection	IP67
Mounting method	DIN-rail mountable (EN 60715) or screw fixing
Temperature range	-20...+60 °C (storage temperature -20...+70 °C)
Dimensions H × W × D	94×60×39 mm

Diagnostic

Communication status	via LED
Diagnostic via LED	per module
Monitoring - no voltage	yes

Commercial data

country of origin	DE
customs tariff number	85176200
EAN	4048879049108
eClass	27242604
Packaging unit	1