

## MASI68 I/O MODULE

4 digital inputs, 3 digital outputs

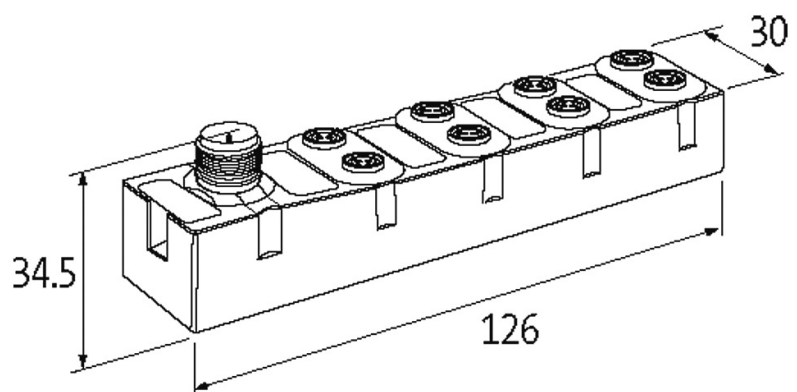
Compact module

DI4 - 0.19 A DO3 - 0.5 A (C) 7×M8 (AB)

Connection cables are in the online shop under "Connection Technology". Housing fully potted.

### [Link to Product](#)

#### Illustration



Product may differ from Image

#### Approvals



#### Input

Type	for 3-wire sensors or mechanical switches, PNP
Sensor supply US	max. 190 mA from AS-Interface (short-circuit and overload protected)

### Connections

Fieldbus	A-coded
I/O ports	M8, 3-pole

### Technical Data

Bus voltage (AS-Interface)	26.5...31.6 V DC
Addressing	via master or M12 connection and programming device
Profile (IO/ID/ID2 code)	S-7.A.0
Address range	1...62 (1...31 A or B)
Total current	max. 250 mA

### General data

Protection	IP68
Mounting method	screw fixing
Temperature range	-20...+60 °C (storage temperature -20...+70 °C)
Dimensions H x W x D	126x30x34.5 mm

### Output

Supply voltage	24 V DC external (18...30.2 V DC) EN 61131-2
Switching current per output	max. 0.5 A (short-circuit and overload protected)
Total current	max. 1.5 A

### Diagnostic

Communication status	via LED
Diagnostic via LED	per module
Monitoring - no voltage	yes

### Commercial data

country of origin	DE
customs tariff number	85176200
EAN	4048879048965
eClass	27242604
Packaging unit	1