

MASI68 I/O MODULE

4 digital inputs, 4 digital outputs

Compact module

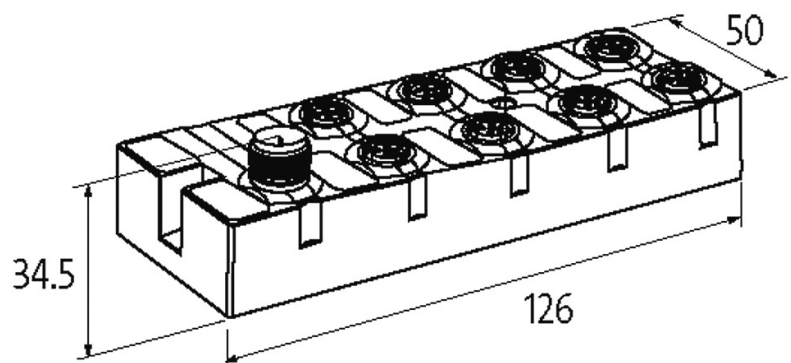
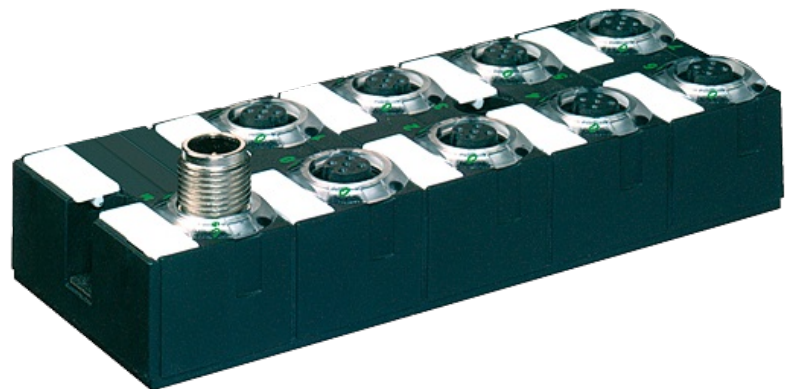
DI4 - 0.19 A DO4 - 2 A (C) 8×M12 (Y)

Y-wiring

Connection cables are in the online shop under "Connection Technology". Housing fully potted.

[Link to Product](#)

Illustration



Product may differ from Image

Approvals



Power 24V



Input

Sensor supply US

max. 190 mA from AS-Interface (short-circuit and overload protected)

Type	for 3-wire sensors or mechanical switches, PNP
M12 configuration	Y-wiring
Connections	
Fieldbus	A-coded
I/O ports	M12, 5-pole
Technical Data	
Bus voltage (AS-Interface)	26.5...31.6 V DC
ASI-Power 24	yes
Total current	max. 250 mA
Addressing	via master or M12 connection and programming device
Address range	1...31
Profile (IO/ID/ID2 code)	S-7.F.E
General data	
Protection	IP68
Mounting method	screw fixing
Temperature range	-20...+60 °C (storage temperature -20...+70 °C)
Dimensions H x W x D	126x50x34.5 mm
Output	
Switching current per output	max. 2 A (short-circuit and overload protected)
Total current	max. 4 A
Diagnostic	
Communication status	via LED
Diagnostic via LED	per module
Monitoring - no voltage	yes
Commercial data	
country of origin	DE
customs tariff number	85176200
EAN	4048879048927
eClass	27242604
Packaging unit	1