

## MASI68 I/O EXTENSION MODULE K3

4 digital inputs, 4 digital, passive safety outputs

Expansion module

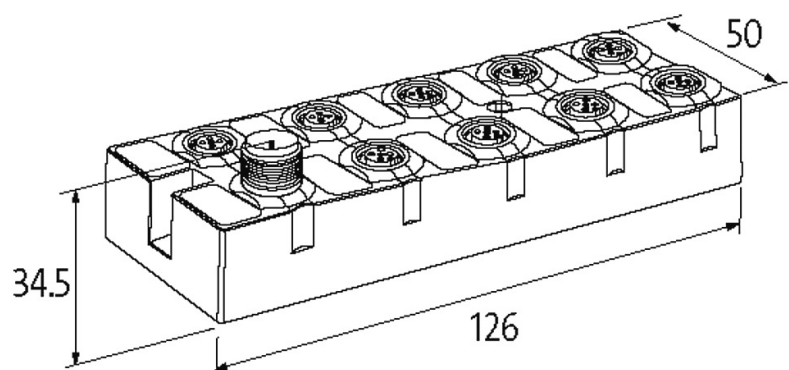
DI4 - 0.2 A DO4 - 1.6 A (E) 8×M12 (AB) (Y) (K3)

Output groups up to PLd (EN ISO 13849-1) can be switched off via safety relays

Connection cables are in the online shop under "Connection Technology". Housing fully potted.

### [Link to Product](#)

#### Illustration



Product may differ from Image

#### Approvals



Power 24V



#### Input

Type	for 3-wire sensors or mechanical switches, PNP
Sensor supply US	max. 200 mA from AS-Interface (short-circuit and overload)

The information in this brochure has been compiled with the utmost care.

Liability for the correctness completeness and topicality of the information is restricted to gross negligence. Version: 03/19

Murrelektronik GmbH | Falkenstraße 3 | 71570 Oppenweiler | Fon +49 (71 91) 47-0 | Fax +49 (71 91) 47-491000 | shop@murrelektronik.com | shop.murrelektronik.com

Sensor supply bus

protected)

### Connections

Fieldbus	A-coded
I/O ports	M12, 5-pole

### Technical Data

Bus voltage (AS-Interface)	26.5...31.6 V DC
ASI-Power 24	yes
Addressing	via master or M12 connection and programming device
Profile (IO/ID/ID2 code)	S-7.A.7
Address range	1...62 (1...31 A or B)
Total current	max. 250 mA

### General data

Protection	IP68
Mounting method	screw fixing
Temperature range	-20...+60 °C (storage temperature -20...+70 °C)
Dimensions H x W x D	126x50x34.5 mm

### Output

Supply voltage	24 V DC external (18...30.2 V DC) EN 61131-2
Switching current per output	max. 2 A (short-circuit and overload protected)
Total current	max. 4 A
M12 configuration	Y-wiring

### Diagnostic

Communication status	via LED
Diagnostic via LED	per module
Monitoring - no voltage	yes

### Commercial data

country of origin	DE
customs tariff number	85176200
EAN	4048879048866
eClass	27242604
Packaging unit	1