

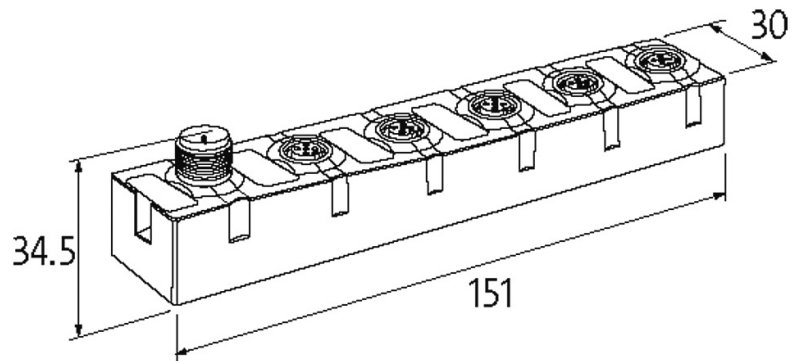
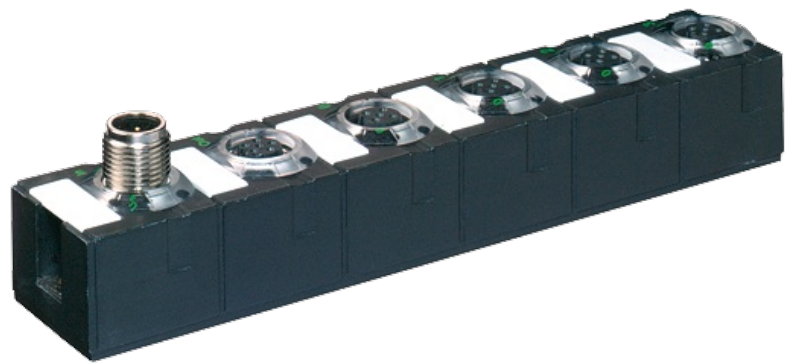
## MASI68 AI4 RTD E 4XM12

AI4 - (E) RTD  
4 × M12

Connection cables are in the online shop under "Connection Technology". Housing fully potted.

### [Link to Product](#)

#### Illustration



Product may differ from Image

#### Approvals



#### Input

Connection	2-, 3-, 4-wire technology
Sensor type	Pt 100
Resolution (analog)	15 Bit + sign
Measuring current	1.25 mA

#### Connections

The information in this brochure has been compiled with the utmost care.

Liability for the correctness completeness and topicality of the information is restricted to gross negligence. Version: 03/19

Murrelektronik GmbH | Falkenstraße 3 | 71570 Oppenweiler | Fon +49 (71 91) 47-0 | Fax +49 (71 91) 47-491000 | shop@murrelektronik.com | shop.murrelektronik.com

Fieldbus	A-coded
I/O ports	M12, 4-pole

### Technical Data

Bus voltage (AS-Interface)	26.5...31.6 V DC
Addressing	via master or M12 connection and programming device
Address range	1...31
Profile (IO/ID/ID2 code)	S-7.3.E
Total current	max. 100 mA

### General data

Protection	IP68
Mounting method	screw fixing
Temperature range	0...+55 °C (storage temperature -40...+85 °C)
Dimensions H × W × D	151×30×34.5 mm

### Input range

Standard range Pt 100	-200...+850 °C (0.1 °C)
Climatic range	-120...+130 °C (0.01 °C)

### Diagnostic

Communication status	via LED
Diagnostic via LED	per module
Monitoring - no voltage	yes
Actuator warning	no
Wire break upper/lower limit overload	per module via LED and BUS

### Commercial data

country of origin	DE
customs tariff number	85176200
EAN	4048879321280
eClass	27242601
Packaging unit	1