

**Product discontinued until 31.10.2018, replaced by: 56471**

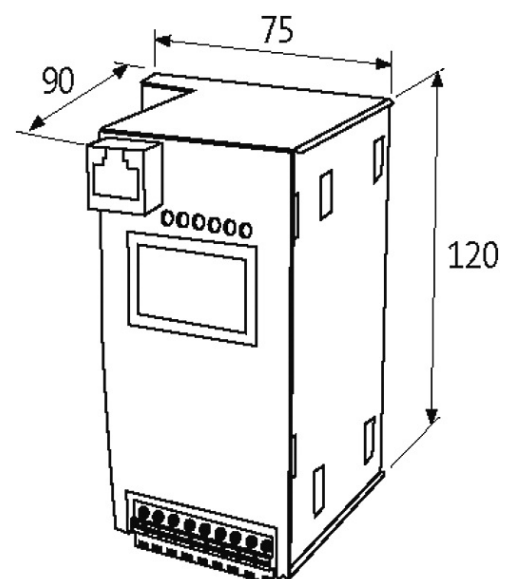
Gateway Profibus-DP/AS-i, 1 Master, Spec. 3.0, IP20

Gateway-Singlemaster  
via pluggable spring clamp plug-in terminals on the front 0.5...1.5 mm<sup>2</sup>  
AS-Interface/PROFIBUS DP  
Specification 3.0

Other gateways on request. Current manuals, GSD/type data can be downloaded at:  
[www.murrelektronik.com](http://www.murrelektronik.com)

## [Link to Product](#)

### Illustration



Product may differ from Image

### Approvals



### Connections

Fieldbus SUB-D9

### PROFIBUS

Addressing via buttons on the gateway or PROFIBUS DP addresses 1...126 adjustable (default 3)

### General data

Standards	EN 50295, EN 61000-6-2, EN 61000-6-4
Test isolation voltage	min. 500 V
Protection	IP20
Mounting method	DIN-rail mountable (EN 60715)
Temperature range	0...+55 °C (storage temperature -25...+85 °C)
Dimensions H x W x D	120x85x83 mm

### AS-Interface

Operating voltage	30 V DC
Operating current	max. 200 mA (AS-Interface)
Bus connection	via pluggable spring clamp plug-in terminals on the front 0.5...1.5 mm <sup>2</sup>
Serial interface/diagnostic	RJ45/Ethernet
No. of slaves	max. 62
Specification	3.0
Cycle time	150 µs × (number of slaves + 2)

### Fieldbus

Buttons	4 (mode/set/OK/ESC)
Transfer rate	9.6...1 2000 kBaud, automatic detection

### Commercial data

country of origin	DE
customs tariff number	85176200
EAN	4048879495684
eClass	27242208
Packaging unit	1