

## Gateway Profibus-DP/AS-i, 1 Master, P24

Spec. 3.0, Power 24

AS-Interface/PROFIBUS DP

Gateway-Singlemaster

Power 24V

Specification 3.0

AS-Interface data decoupling integrated

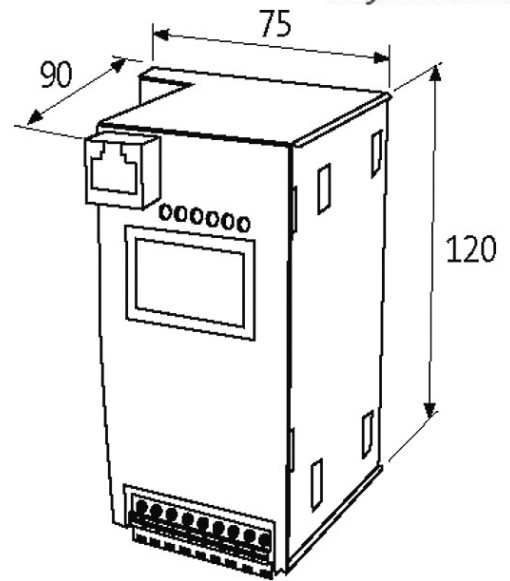
Other gateways on request. Current manuals, GSD/type data can be downloaded at:  
[www.murrelektronik.com](http://www.murrelektronik.com)

### [Link to Product](#)

#### Illustration



stay connected



Product may differ from Image

### Approvals



### More Info



### Connections

Fieldbus SUB-D9

### General data

Standards	EN 61131-2, EN 62026-2, EN 61000-6-2, EN 61000-6-4
Test isolation voltage	min. 500 V
Protection	IP20
Mounting method	DIN-rail mountable (EN 60715)
Temperature range	0...+55 °C (storage temperature -25...+85 °C)

### AS-Interface

Operating voltage	24 V DC (20...30.6 V DC - PELV)
Operating current	max. 250 mA (AS-Interface)
Bus connection	via pluggable spring clamp plug-in terminals on the front 0.5...1.5 mm <sup>2</sup>
Serial interface/diagnostic	None
No. of slaves	max. 62
Specification	3.0

Cycle time	150 $\mu$ s × (number of slaves + 2)
------------	--------------------------------------

### Fieldbus

Type	PROFIBUS DP slave
Transfer rate	9.6...1 2000 kBaud, automatic detection

### Functions

Gateway-Singlemaster
----------------------

AS-Interface data decoupling integrated
---

AS-Interface duplicate address detection
--

AS-Interface EMC detector integrated
--------------------------------------

### Commercial data

country of origin	DE
customs tariff number	85176200
EAN	4048879600415
eClass	27242608
Packaging unit	1