

Gateway CC-Link/AS-i, 1 Master, P24

Spec. 3.0, Power 24

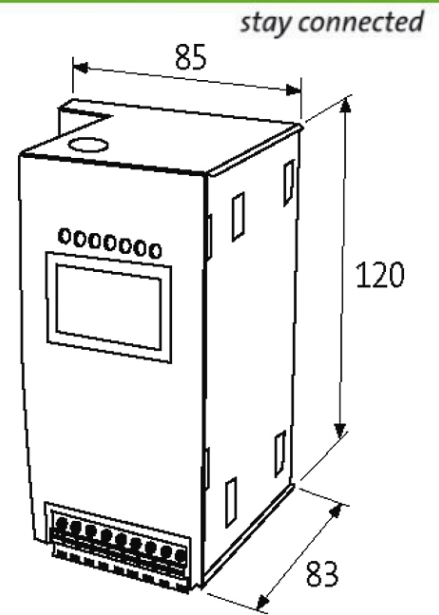
AS-Interface/CC-Link
Gateway-Singlemaster
Power 24V
Specification 3.0
AS-Interface data decoupling integrated

Other gateways on request. Current manuals, GSD/type data can be downloaded at:
www.murrelektronik.com

[Link to Product](#)

Illustration





Product may differ from Image

Approvals



More Info

CC-Link

Connections

Fieldbus CC-Link specification

General data

Standards	EN 61131-2, EN 62026-2, EN 61000-6-2, EN 61000-6-4
Test isolation voltage	min. 500 V
Protection	IP20
Mounting method	DIN-rail mountable (EN 60715)
Temperature range	0...+55 °C (storage temperature -25...+85 °C)

AS-Interface

Operating voltage	24 V DC (20...30.6 V DC - PELV)
Operating current	max. 250 mA (AS-Interface)
Bus connection	via pluggable spring clamp plug-in terminals on the front 0.5...1.5 mm ²
Serial interface/diagnostic	no
No. of slaves	max. 62
Specification	3.0
Cycle time	150 µs × (number of slaves + 2)

Fieldbus

The information in this brochure has been compiled with the utmost care.

Liability for the correctness completeness and topicality of the information is restricted to gross negligence. Version: 03/19

Murrelektronik GmbH | Falkenstraße 3 | 71570 Oppenweiler | Fon +49 (71 91) 47-0 | Fax +49 (71 91) 47-491000 | shop@murrelektronik.com | shop.murrelektronik.com

Type	CC-Link
Transfer rate	156 kBaud...10 MBaud
Functions	
	Gateway-Singlemaster
	AS-Interface data decoupling integrated
	AS-Interface duplicate address detection
	AS-Interface EMC detector integrated
Commercial data	
country of origin	DE
customs tariff number	85176200
EAN	4048879661683
eClass	27242608
Packaging unit	1