

CUBE67+ BUSNODE

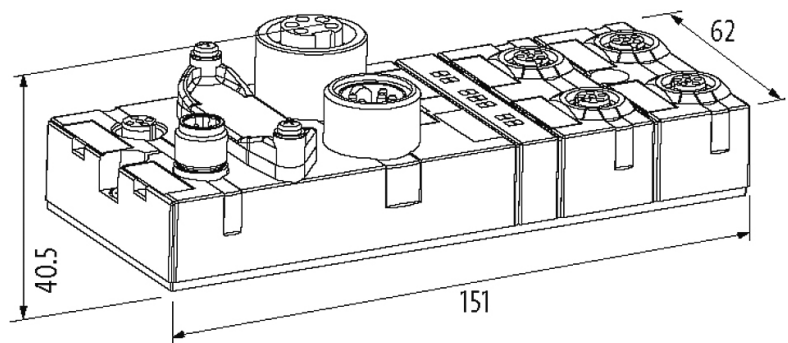
Profibus DP

Cube67+
PROFIBUS DP

Connection cables are in the online shop under "Connection Technology". Housing fully potted. Cube67+ modules can only be operated on Cube67+, EtherNet/IP, PROFIBUS + PROFINET bus nodes.

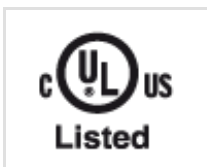
[Link to Product](#)

Illustration



Product may differ from Image

Approvals



More Info



Connections

Fieldbus	PROFIBUS 12 Mbit/s; M12, B-coded
Sensor-system/actuator supply	7/8", 5-pole, 2 × max. 8 A
Internal system connection	4 × M12 (female) A-coded, 6-pole, 2 × max. 4 A

PROFIBUS

Addressing	Rotary switch 0...99
------------	----------------------

Module supply

Operating voltage	24 V DC (EN 61131-2)
Current consumption	max. 120 mA

General data

Protection	IP67
Mounting method	2-hole screw mounting
Temperature range	0...+55 °C (storage temperature -20...+75 °C)
Dimensions H × W × D	151×62×40.5 mm

Cube system

Module capacity	max. 32
I/O capacity	max. 244 Byte (Input), max. 244 Byte (Output)
Machine Option Management	yes
No. of masterports (IO-Link)	max. 12

Diagnostic

Communication status	via LED and BUS
Diagnostic via LED	per module and channel
Diagnostic via BUS	per module and channel
Monitoring - under voltage	yes
Monitoring - no voltage	yes
Short-circuit and overload	yes

Commercial data

country of origin	DE
customs tariff number	85389099
EAN	4048879048620
eClass	27242608
Packaging unit	1