

CUBE67+ BUS NODE

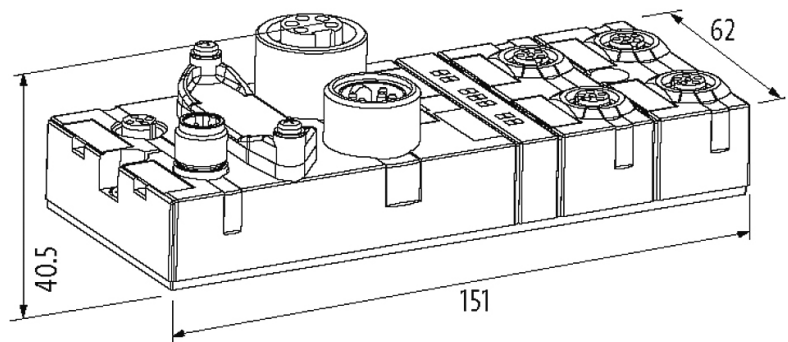
Ethercat

Cube67+
EtherCAT

Connection cables are in the online shop under "Connection Technology". Housing fully potted. Cube67+ modules can only be operated on Cube67+, EtherNet/IP, PROFIBUS + PROFINET bus nodes.

[Link to Product](#)

Illustration



Product may differ from Image

Approvals



More Info



Connections

Fieldbus	Ethernet 10/100 Mbit/s; M12, D-coded
Sensor-system/actuator supply	7/8", 5-pole, 2 × max. 8 A
Internal system connection	4 × M12 (female) A-coded, 6-pole, 2 × max. 4 A

Module supply

Operating voltage	24 V DC (EN 61131-2)
Current consumption	max. 200 mA

General data

Protection	IP67
Mounting method	2-hole screw mounting
Temperature range	0...+55 °C (storage temperature -20...+75 °C)
Dimensions H × W × D	151×62×40.5 mm

EtherCAT

Addressing	automatic
------------	-----------

Cube system

Module capacity	max. 32
I/O capacity	max. 65 636 Byte (Input), max. 65 636 Byte (Output)

Diagnostic

Communication status	via LED and BUS
Diagnostic via LED	per module and channel
Diagnostic via BUS	per module and channel
Monitoring - under voltage	yes
Monitoring - no voltage	yes
Short-circuit and overload	yes

Commercial data

country of origin	DE
customs tariff number	85389099
EAN	4048879313148
eClass	27242608
Packaging unit	1