

CUBE67 I/O EXTENSION MODULE, VA

16 multifunction channels

Expansion module

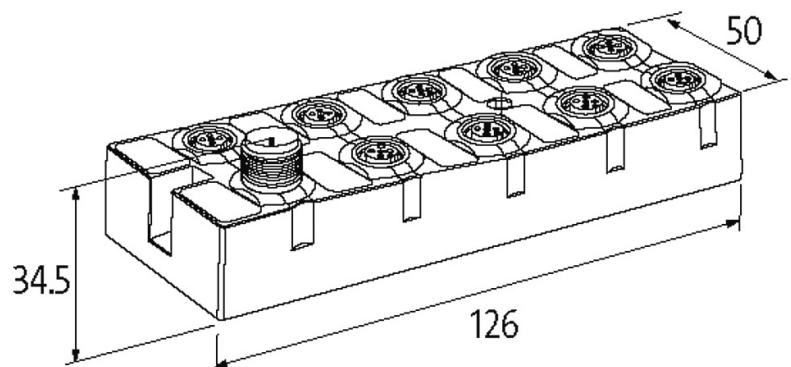
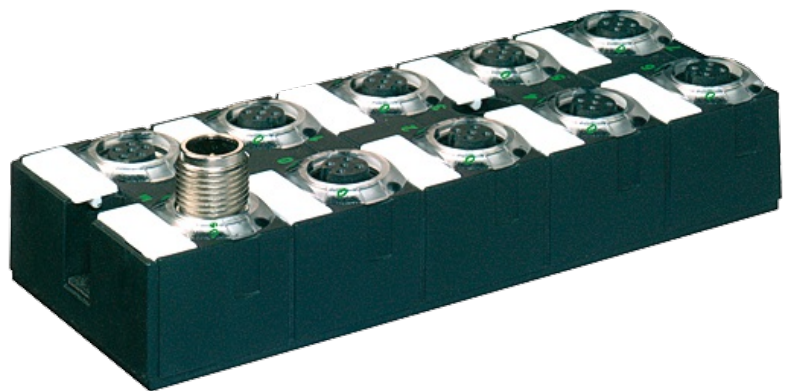
DIO16 - 0.5 A (E) 8×M12

Short-circuit and overload protected

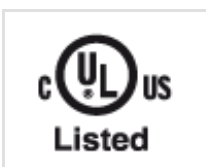
Digital inputs/outputs (multifunctional)

Metal parts: Stainless steel

Connection cables are in the online shop under "Connection Technology". Housing fully potted.

[Link to Product](#)**Illustration**

Product may differ from Image

Approvals**Input**

Sensor supply US	24 V DC (EN 61131-2), max. 200 mA (M12 female), short-circuit and overload protected
------------------	--

Type	for 3-wire sensors or mechanical switches, PNP
------	--

Input filter	1 ms
--------------	------

Internal communication

Current consumption	max. 50 mA
---------------------	------------

LED display	US: sensor supply and internal supply voltage (green: OK); UA: actuator supply (green: OK)
-------------	--

Connections

Fieldbus	via internal system connection
----------	--------------------------------

Sensor-system/actuator supply	via internal system connection (max. 2×4 A)
-------------------------------	---

I/O ports	M12 (female) 5-pole, A-coded
-----------	------------------------------

General data

Protection	IP67
------------	------

Mounting method	2-hole screw mounting
-----------------	-----------------------

Temperature range	0...+55 °C (storage temperature -20...+75 °C)
-------------------	---

Dimensions H × W × D	126×50×34.5 mm
----------------------	----------------

Output

Actuator supply UA	24 V DC (EN 61131-2), via system connection (max. 4 A)
--------------------	--

Switching current per output	max. 0.5 A (short-circuit and overload protected)
------------------------------	---

Lamp load	10 W
-----------	------

Parameterization

PIN 2	Input/Output/Diagnostic
-------	-------------------------

PIN 4	Input/Output
-------	--------------

Diagnostic

Communication status	via LED
----------------------	---------

Diagnostic via LED	per module and channel
--------------------	------------------------

Diagnostic via BUS	per module and channel
--------------------	------------------------

Monitoring - under voltage	yes
----------------------------	-----

Monitoring - no voltage	yes
-------------------------	-----

Short-circuit and overload	yes
----------------------------	-----

Actuator warning	per channel via LED and BUS
------------------	-----------------------------

Commercial data

country of origin	CZ
-------------------	----

customs tariff number	85389099
-----------------------	----------

EAN	4048879045346
-----	---------------

eClass	27242604
--------	----------

Packaging unit	1
----------------	---