

CUBE67 I/O EXTENSION MODULE

16 digital inputs

Expansion module

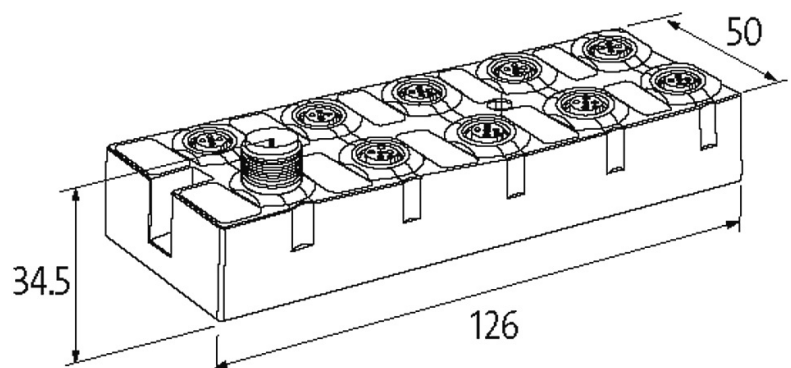
DI16 - (E) PNP (8×M12)

Metal parts: Stainless steel

Connection cables are in the online shop under "Connection Technology". Housing fully potted.

[Link to Product](#)

Illustration



Product may differ from Image

Approvals



Input

Sensor supply US

24 V DC (EN 61131-2), max. 200 mA (M12 female), short-circuit and overload protected

Type	for 3-wire sensors or mechanical switches, PNP
Input filter	1 ms
Internal communication	
Current consumption	max. 50 mA
LED display	US: sensor supply and internal supply voltage (green: OK); UA: actuator supply (green: OK)
Connections	
Fieldbus	via internal system connection
Sensor-system/actuator supply	via internal system connection (max. 2×4 A)
I/O ports	M12 (female) 5-pole, A-coded
General data	
Protection	IP67
Mounting method	2-hole screw mounting
Temperature range	0...+55 °C (storage temperature -20...+75 °C)
Dimensions H × W × D	126×50×34.5 mm
Parameterization	
PIN 2	Input/Diagnostic
PIN 4	Input
Diagnostic	
Communication status	via LED
Diagnostic via LED	per module and channel
Diagnostic via BUS	per module and channel
Monitoring - under voltage	yes
Monitoring - no voltage	yes
Short-circuit and overload	yes
Commercial data	
country of origin	CZ
customs tariff number	85389099
EAN	4048879045339
eClass	27242604
Packaging unit	1