

CUBE67 I/O COMPACT MODULE, 8 multifunction channels

Cube67 DIO8 C 4xM8 4-pole

Compact module

DIO8 - 0.5 A (C) 4xM8

4-pole

Short-circuit and overload protected

Digital inputs/outputs (multifunctional)

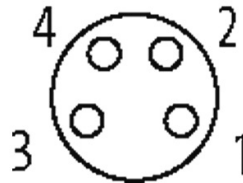
Connection cables are in the online shop under "Connection Technology". Housing fully potted.

[Link to Product](#)

Illustration



Female

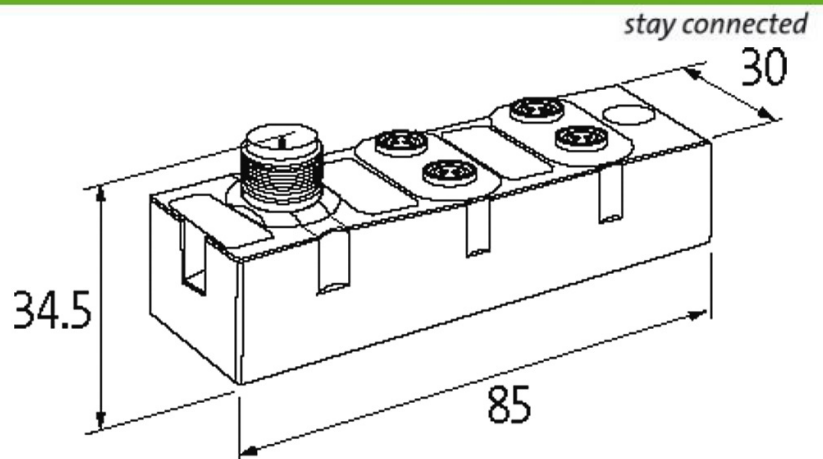


PIN 1: U_s : +24 V

PIN 2: DIO 0.5 A 0.x

PIN 3: 0 V DC

PIN 4: DIO 0.5 A 1.x



Product may differ from Image

Approvals



Input

Sensor supply US	24 V DC (EN 61131-2), max. 200 mA (M8 female), short-circuit and overload protected
Type	for 3-wire sensors or mechanical switches, PNP
Input filter	1 ms

Internal communication

Current consumption	max. 30 mA
LED display	US: sensor supply and internal supply voltage (green: OK); UA: actuator supply (green: OK)

Connections

Fieldbus	via internal system connection
Sensor-system/actuator supply	via internal system connection (max. 2×4 A)
I/O ports	M8 (female) 4-pole, A-coded

General data

Protection	IP67
Mounting method	2-hole screw mounting
Temperature range	0...+55 °C (storage temperature -20...+75 °C)
Dimensions H × W × D	85×30×34.5 mm

Output

Actuator supply UA	24 V DC (EN 61131-2), via system connection (max. 4 A)
Switching current per output	max. 0.5 A (short-circuit and overload protected)
Lamp load	10 W

Parameterization

PIN 4	Input/Output
-------	--------------

PIN 2 Input/Output/Diagnostic

Diagnostic

Communication status	via LED
Diagnostic via LED	per module and channel
Diagnostic via BUS	per module and channel
Monitoring - under voltage	yes
Monitoring - no voltage	yes
Short-circuit and overload	yes
Actuator warning	per channel via LED and BUS

Commercial data

country of origin	DE
customs tariff number	85389099
EAN	4048879579636
eClass	27242604
Packaging unit	1