

Cube67 I/O Cable-Module, I/O Extension Module

DO16, Open-End, 0,5m

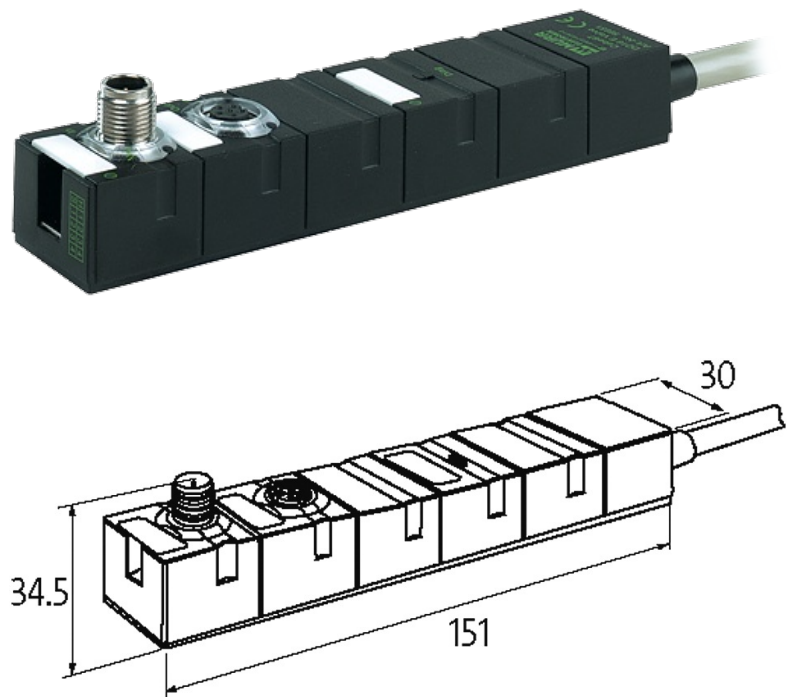
Expansion module

DO16 - Valve (E) 0.5 m
with open ended wires (70 mA)

Connection cables are in the online shop under "Connection Technology". Housing fully potted.

[Link to Product](#)

Illustration



Product may differ from Image

Approvals



Internal communication

Current consumption max. 50 mA

LED display US: sensor supply and internal supply voltage (green: OK); UA: actuator supply (green: OK)

Connections

| | |
|-------------------------------|---|
| Fieldbus | via internal system connection |
| Sensor-system/actuator supply | via internal system connection (max. 2×4 A) |
| I/O ports | Open cable |

Cables

| | |
|-----------------------|---------------------------|
| No./diameter of wires | 18 × 0.25 mm ² |
| Material (jacket) | PVC |
| Cable Length | 0.5 m |

General data

| | |
|----------------------|---|
| Protection | IP67 |
| Mounting method | 2-hole screw mounting |
| Dimensions H × W × D | 150×30×34.5 mm |
| Temperature range | 0...+55 °C (storage temperature -20...+75 °C) |

Output

| | |
|------------------------------|--|
| Actuator supply UA | 24 V DC (EN 61131-2), via system connection (max. 4 A) |
| Switching current per output | max. 60 mA (short-circuit and overload protected) |

Diagnostic

| | |
|----------------------------|------------------------|
| Communication status | via LED |
| Diagnostic via LED | per module |
| Diagnostic via BUS | per module and channel |
| Monitoring - under voltage | yes |
| Monitoring - no voltage | yes |
| Short-circuit and overload | yes |
| Actuator warning | per channel via BUS |

Commercial data

| | |
|-----------------------|---------------|
| country of origin | DE |
| customs tariff number | 85444290 |
| EAN | 4048879048408 |
| eClass | 27242604 |
| Packaging unit | 1 |